

DESCRIPTION

The RXAR Series LED area luminaire offers performance and durability with a rugged, one-piece die-cast aluminum housing and high efficacy of up to 172 lumens per watt. This versatile luminaire is designed to ensure optimal heat dissipation and energy efficiency, guaranteeing longevity and reliability. It is available in Type II, III, IV, and V distributions to cater to diverse lighting needs while maintaining zero uplight to eliminate light pollution. With field switchable power (6,200 to 60,000 lumens), and CCT (3000K-4000K-5000K, depending on model), the RXAR Series offers unparalleled flexibility. Includes straight arm for mounting to 4" and 5" square or round pole standard in the packaging. Several other mounts, shields and accessories are available for maximum project flexibility.

SPECIFICATIONS

Construction:

- Sleek die-cast aluminum housing with stainless steel hardware and powder coated finish
- Integral heat sink fins maximize heat dissipation
- Hinged driver access door for ease of maintenance
- Straight arm for 4" and 5" square or round pole included standard, other mounting accessories available
- Slotted bolt pattern suitable for retrofit to most existing drill hole patterns
- Includes a 12" whip (5 conductors provided for convenience, dimming leads not connected)

Optics/LEDs:

- 40 to 400 Watts with lumen packages up to 60,000 lumens
- Designed with zero uplight to eliminate light pollution
- Efficacies up to 172 LPW maximize energy savings and utility rebates
- Type II, III, IV and V distributions optimize light distribution
- Easily field switchable between 3000K, 4000K and 5000K CCT (4000K and 5000K for 400W models)
- L70 of >100,000 hours
- L90 of 40,000 hours
- CRI ≥80

Electrical:

- Class 2 power supply, 120-277VAC, 50/60Hz
- 0-10V Dimming driver
- Power Factor ≥ 0.90
- 347/480VAC Dedicated driver option
- 10KA(@120-277V) or 20KA(@347-480V) surge protection

Testing & Compliance:

- cULus Listed for Wet Locations, tested to meet IP65 requirements
- DesignLights Consortium® (DLC) PREMIUM Qualified (consult QPL for qualified models)
- Operating temperature: -40°C to 45°C (-40°F to 113°F), -40°C to 40°C for the 400W model
- 3G Vibration rated enclosure

Installation:

- Hinged driver door for ease of access (coin plugs on the driver door provides ease of access to dipswitches for power and CCT selectability)
- Standard with pole mount arm suitable for 4" or 5" square or round poles. Arm features access door for easy wiring on site
- Additional contractor friendly mounts such as slipfitter, trunnion, swivel, adjustable pole mount, and wall bracket

Warranty:

- Five Year Warranty (Terms and Conditions Apply)
- 10 Year Warranty available upon request, consult factory

Options:

- 120-277VAC 3-Pin Twist Lock receptacle (option TLPC) (Twist Lock photocontrol included)
- 120-277VAC 7-Pin Twist Lock receptacle (option TLPC3) (Twist Lock photocontrol included)
- 347-480VAC 3-Pin Twist Lock Receptacle (option TLPC4) (Twist Lock photocontrol included)

Model: _____ Date: _____
Accessories: _____
Job Name: _____ Type: _____



Specs at a Glance					
Model	RXAR-100	RXAR-140	RXAR-250	RXAR-300	RXAR-400
Wattage*	40W-60W-80W-100W (Switchable)	60W-90W-120W-140W (Switchable)	100W-150W-200W-250W (Switchable)	120W-180W-240W-300W (Switchable)	300W-320W-360W-400W (Switchable)
Lumens (lm)	6,400 - 16,000	9,600 - 23,000	14,500 - 38,000	18,000 - 46,000	46,000 - 60,000
Efficacy (LPW)	up to 170	up to 172	up to 161	up to 169	up to 167
Distribution	Type II, III, IV, V				
CCT (K)	3000K-4000K-5000K (Switchable)				4000K-5000K (Switchable)
CRI	>80				
Input Voltage	120-277VAC or 347/480VAC				
Operating Temp	-40°C to 45°C (-40°F to 113°F)				
Certifications	UL Listed for Wet Locations, IP65, DLC PREMIUM				
Warranty	5 Years				
Weight	12.0 lbs	12.4 lbs	17.4 lbs	18.0 lbs	18.5 lbs

* Nominal Wattage. Tested at 4000K CCT, 120-277VAC, Type III distribution. See performance table for more detailed lumen information.

Note: Environment and application will affect actual performance. Typical values and 25°C used for testing.

Accessories:

- 3-Pin Twist Lock universal photocontrol (120-277VAC) for dusk to dawn lighting control (TLPR)
- 3-Pin Twist Lock universal photocontrol (347-480VAC) for dusk to dawn lighting control (TLPRH)
- 7-Pin Twist Lock universal photocontrol (120-277VAC) for dusk to dawn lighting control (TLPR7)
- Bluetooth enabled dimming occupancy sensor ([LE-MS3W-BL-AUX-HB1](#)), PIR, 120/277VAC
- Dimming occupancy sensor (TL-MSP12-BL), PIR, with daylight harvesting capabilities, 120/277VAC
- Multiple contractor friendly mounts and accessories available, see ordering information

Ordering Information (Example: RXAR-250-3-VS-CP-BR-A-TLPC)

Series	Wattage, Size	Distribution	Input Voltage	CCT	Finish	Mount
RXAR	100 = 40-100W, Small	2 = Type II	HVS ¹ = 347/480VAC	CP ² = CCT & Power Switchable	BL ¹ = Black	A = Pole Mount Arm
	140 = 60-140W, Small	3 = Type III	VS = 120-277VAC		BR = Bronze	
	250 = 100-250W, Large	4 = Type IV			SV ¹ = Gray Aluminum	
	300 = 120-300W, Large	5 = Type V			WH ¹ = White	
	400 = 300-400W, Large					
Options						
TLPC - 120-277VAC 3-Pin Twist Lock Photocontrol and Receptacle						
TLPC3 - 120-277VAC 7-Pin Twist Lock Photocontrol and Receptacle						
TLPC4 - 347-480VAC 3-Pin Twist Lock Photocontrol and Receptacle						

LiteLogic Accessories ³ (Field Installed)	Accessories ³ (Field Installed)
LE-MS3W-BL-AUX-HB1 = Bluetooth PIR Motion Sensor with Daylight Harvesting, Black	RXAR-APM-BR = Adjustable Pole Mount Arm, Bronze Finish
TL-MSP12-BL = Dimming Occupancy Sensor, PIR, Black Finish	RXAR-APM-XX = Adjustable Pole Mount Arm (XX = BL; Black, SV; Gray Alum, WH; White)
TL-MSSW-REMOTE = Remote for Sensor	RXAR-HSS - House Side Shield
TLPR = 120-277VAC 3-Pin Twist Lock Photocontrol and Receptacle	RXAR-L-FGS-BR = Full Glare Shield, Large, Bronze Finish (250W, 300W, 400W)
TLPR7 = 120-277VAC 7-Pin Twist Lock Photocontrol and Receptacle	RXAR-L-GS-BR = Glare Shield, Large, Bronze Finish (250W, 300W, 400W)
TLPRH = 347-480VAC 3-Pin Twist Lock Photocontrol and Receptacle	RXAR-S-FGS-BR = Full Glare Shield, Small, Bronze Finish (100W, 140W)
	RXAR-S-GS-BR = Glare Shield, Small, Bronze Finish (100W, 140W)
	RXAR-SF-BR = Slipfitter Mount, Bronze Finish
	RXAR-SF-XX = Slip fitter Mount (XX = BL; Black, SV; Gray Alum, WH; White)
	RXAR-WM-BR = Wall Mount, Bronze Finish
	RXAR-WM-XX = Wall Mount (XX = BL; Black, SV; Gray Alum, WH; White)
	RXA-SW-BR = Swivel Mount, Bronze Finish
	RXA-SW-XX = Swivel Mount (XX = BL; Black, SV; Gray Alum, WH; White)
	RXA-TR = Trunnion Mount, Bronze Finish
	RXA-TR-XX = Trunnion Mount (XX = BL; Black, SV; Gray Alum, WH; White)

Notes

¹ 70 CRI only, longer lead times may apply, consult factory

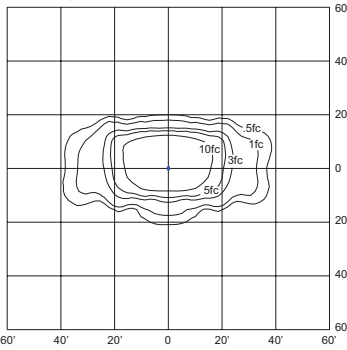
² 400W Switchable between 4000K/5000K, static 3000K option available - consult factory

³ Order as separate line item - Shipped in separate box for final installation in the field

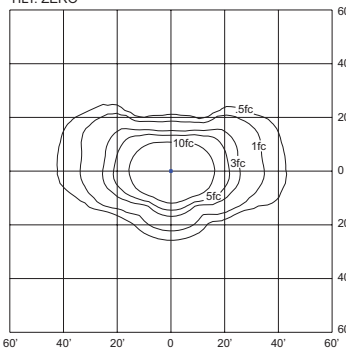
ADDITIONAL POLE MOUNTS AVAILABLE - SEE PAGES 6-7 FOR DETAILS

Sample Photometry

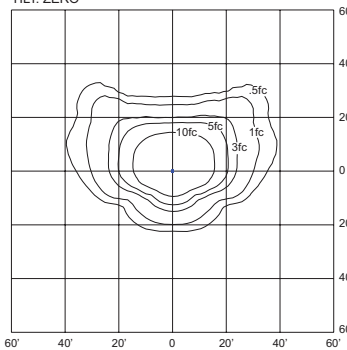
RXAR-140-2-VS-CP (140W, 4000K)
IES: TYPE II SHORT
MOUNTING HEIGHT: 20'
TILT: ZERO



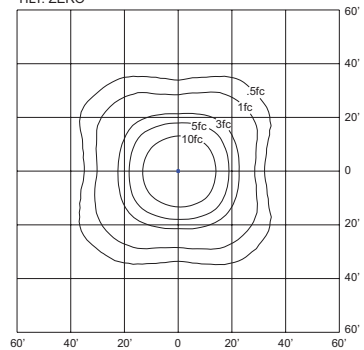
RXAR-140-3-VS-CP (140W, 4000K)
IES: TYPE III SHORT
MOUNTING HEIGHT: 20'
TILT: ZERO



RXAR-140-4-VS-CP (140W, 4000K)
IES: TYPE IV SHORT
MOUNTING HEIGHT: 20'
TILT: ZERO



RXAR-140-5-VS-CP (140W, 4000K)
IES: TYPE VS SHORT
MOUNTING HEIGHT: 20'
TILT: ZERO



Performance Table

Model	Wattage	CCT	Dist.	Lumen Output	Efficacy	CRI
RXAR-100-2-VS-CP-BR-A (100W, T2, 4000K)	100W	4000K	Type II	15400lm	154 lm/W	80
RXAR-100-3-VS-CP-BR-A (100W, T3, 4000K)	100W	4000K	Type III	15400lm	154 lm/W	80
RXAR-100-4-VS-CP-BR-A (100W, T4, 4000K)	100W	4000K	Type IV	15400lm	154 lm/W	80
RXAR-100-5-VS-CP-BR-A (100W, T5, 4000K)	100W	4000K	Type V	15600lm	156 lm/W	80
RXAR-100-2-VS-CP-BR-A (80W, T2, 4000K)	80W	4000K	Type II	12700lm	159 lm/W	80
RXAR-100-3-VS-CP-BR-A (80W, T3, 4000K)	80W	4000K	Type III	12700lm	159 lm/W	80
RXAR-100-4-VS-CP-BR-A (80W, T4, 4000K)	80W	4000K	Type IV	12700lm	159 lm/W	80
RXAR-100-5-VS-CP-BR-A (80W, T5, 4000K)	80W	4000K	Type V	13000lm	163 lm/W	80
RXAR-100-2-VS-CP-BR-A (60W, T2, 4000K)	60W	4000K	Type II	9800lm	163 lm/W	80
RXAR-100-3-VS-CP-BR-A (60W, T3, 4000K)	60W	4000K	Type III	9800lm	163 lm/W	80

Specifications are subject to change without notice. Installation must be performed in accordance with Barron Lighting Group installation instructions.

Performance Table (continued)

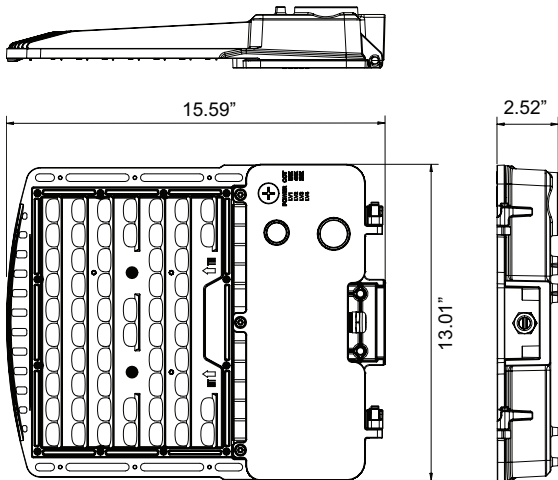
Model	Wattage	CCT	Dist.	Lumen Output	Efficacy	CRI
RXAR-100-4-VS-CP-BR-A (60W, T4, 4000K)	60W	4000K	Type IV	9800lm	163 lm/W	80
RXAR-100-5-VS-CP-BR-A (60W, T5, 4000K)	60W	4000K	Type V	10000lm	167 lm/W	80
RXAR-100-2-VS-CP-BR-A (40W, T2, 4000K)	40W	4000K	Type II	6600lm	165 lm/W	80
RXAR-100-3-VS-CP-BR-A (40W, T3, 4000K)	40W	4000K	Type III	6600lm	165 lm/W	80
RXAR-100-4-VS-CP-BR-A (40W, T4, 4000K)	40W	4000K	Type IV	6600lm	165 lm/W	80
RXAR-100-5-VS-CP-BR-A (40W, T5, 4000K)	40W	4000K	Type V	6800lm	170 lm/W	80
RXAR-140-2-VS-CP-BR-A (140W, T2, 4000K)	140W	4000K	Type II	22400lm	160 lm/W	80
RXAR-140-3-VS-CP-BR-A (140W, T3, 4000K)	140W	4000K	Type III	22400lm	160 lm/W	80
RXAR-140-4-VS-CP-BR-A (140W, T4, 4000K)	140W	4000K	Type IV	22400lm	160 lm/W	80
RXAR-140-5-VS-CP-BR-A (140W, T5, 4000K)	140W	4000K	Type V	23000lm	164 lm/W	80
RXAR-140-2-VS-CP-BR-A (120W, T2, 4000K)	120W	4000K	Type II	19600lm	163 lm/W	80
RXAR-140-3-VS-CP-BR-A (120W, T3, 4000K)	120W	4000K	Type III	19600lm	163 lm/W	80
RXAR-140-4-VS-CP-BR-A (120W, T4, 4000K)	120W	4000K	Type IV	19600lm	163 lm/W	80
RXAR-140-5-VS-CP-BR-A (120W, T5, 4000K)	120W	4000K	Type V	20000lm	167 lm/W	80
RXAR-140-2-VS-CP-BR-A (90W, T2, 4000K)	90W	4000K	Type II	14800lm	164 lm/W	80
RXAR-140-3-VS-CP-BR-A (90W, T3, 4000K)	90W	4000K	Type III	14800lm	164 lm/W	80
RXAR-140-4-VS-CP-BR-A (90W, T4, 4000K)	90W	4000K	Type IV	14800lm	164 lm/W	80
RXAR-140-5-VS-CP-BR-A (90W, T5, 4000K)	90W	4000K	Type V	15100lm	168 lm/W	80
RXAR-140-2-VS-CP-BR-A (60W, T2, 4000K)	60W	4000K	Type II	10000lm	167 lm/W	80
RXAR-140-3-VS-CP-BR-A (60W, T3, 4000K)	60W	4000K	Type III	10000lm	167 lm/W	80
RXAR-140-4-VS-CP-BR-A (60W, T4, 4000K)	60W	4000K	Type IV	10000lm	167 lm/W	80
RXAR-140-5-VS-CP-BR-A (60W, T5, 4000K)	60W	4000K	Type V	10300lm	172 lm/W	80
RXAR-250-2-VS-CP-BR-A (250W, T2, 4000K)	250W	4000K	Type II	36000lm	144 lm/W	80
RXAR-250-3-VS-CP-BR-A (250W, T3, 4000K)	250W	4000K	Type III	36000lm	144 lm/W	80
RXAR-250-4-VS-CP-BR-A (250W, T4, 4000K)	250W	4000K	Type IV	36000lm	144 lm/W	80
RXAR-250-5-VS-CP-BR-A (250W, T5, 4000K)	250W	4000K	Type V	37000lm	148 lm/W	80
RXAR-250-2-VS-CP-BR-A (200W, T2, 4000K)	200W	4000K	Type II	29600lm	148 lm/W	80
RXAR-250-3-VS-CP-BR-A (200W, T3, 4000K)	200W	4000K	Type III	29600lm	148 lm/W	80
RXAR-250-4-VS-CP-BR-A (200W, T4, 4000K)	200W	4000K	Type IV	29600lm	148 lm/W	80
RXAR-250-5-VS-CP-BR-A (200W, T5, 4000K)	200W	4000K	Type V	30200lm	151 lm/W	80
RXAR-250-2-VS-CP-BR-A (150W, T2, 4000K)	150W	4000K	Type II	22600lm	151 lm/W	80
RXAR-250-3-VS-CP-BR-A (150W, T3, 4000K)	150W	4000K	Type III	22600lm	151 lm/W	80
RXAR-250-4-VS-CP-BR-A (150W, T4, 4000K)	150W	4000K	Type IV	22600lm	151 lm/W	80
RXAR-250-5-VS-CP-BR-A (150W, T5, 4000K)	150W	4000K	Type V	23200lm	155 lm/W	80
RXAR-250-2-VS-CP-BR-A (100W, T2, 4000K)	100W	4000K	Type II	15600lm	156 lm/W	80
RXAR-250-3-VS-CP-BR-A (100W, T3, 4000K)	100W	4000K	Type III	15600lm	156 lm/W	80
RXAR-250-4-VS-CP-BR-A (100W, T4, 4000K)	100W	4000K	Type IV	15600lm	156 lm/W	80
RXAR-250-5-VS-CP-BR-A (100W, T5, 4000K)	100W	4000K	Type V	16100lm	161 lm/W	80
RXAR-300-2-VS-CP-BR-A (300W, T2, 4000K)	300W	4000K	Type II	43800lm	146 lm/W	80
RXAR-300-3-VS-CP-BR-A (300W, T3, 4000K)	300W	4000K	Type III	43800lm	146 lm/W	80
RXAR-300-4-VS-CP-BR-A (300W, T4, 4000K)	300W	4000K	Type IV	43800lm	146 lm/W	80
RXAR-300-5-VS-CP-BR-A (300W, T5, 4000K)	300W	4000K	Type V	44700lm	149 lm/W	80
RXAR-300-2-VS-CP-BR-A (240W, T2, 4000K)	240W	4000K	Type II	36000lm	150 lm/W	80
RXAR-300-3-VS-CP-BR-A (240W, T3, 4000K)	240W	4000K	Type III	36000lm	150 lm/W	80
RXAR-300-4-VS-CP-BR-A (240W, T4, 4000K)	240W	4000K	Type IV	36000lm	150 lm/W	80
RXAR-300-5-VS-CP-BR-A (240W, T5, 4000K)	240W	4000K	Type V	37000lm	154 lm/W	80
RXAR-300-2-VS-CP-BR-A (180W, T2, 4000K)	180W	4000K	Type II	27900lm	155 lm/W	80
RXAR-300-3-VS-CP-BR-A (180W, T3, 4000K)	180W	4000K	Type III	27900lm	155 lm/W	80
RXAR-300-4-VS-CP-BR-A (180W, T4, 4000K)	180W	4000K	Type IV	27900lm	155 lm/W	80
RXAR-300-5-VS-CP-BR-A (180W, T5, 4000K)	180W	4000K	Type V	29000lm	161 lm/W	80
RXAR-300-2-VS-CP-BR-A (120W, T2, 4000K)	120W	4000K	Type II	19600lm	163 lm/W	80

Specifications are subject to change without notice.
 Installation must be performed in accordance with
 Barron Lighting Group installation instructions.

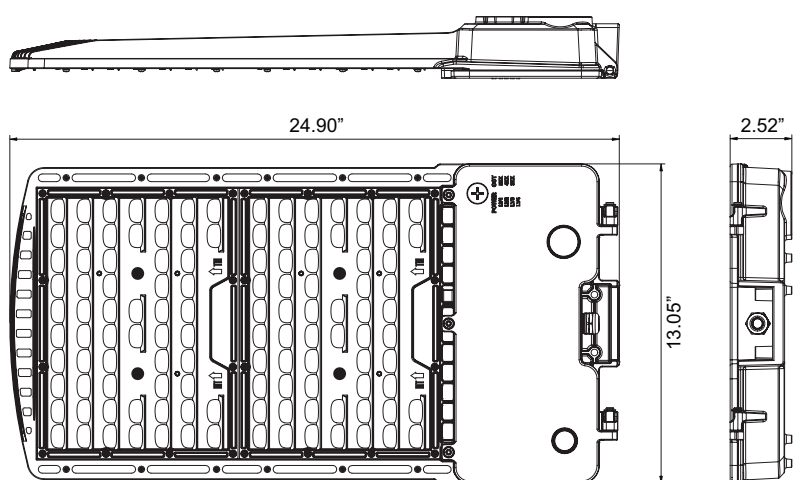
Performance Table (continued)

Model	Wattage	CCT	Dist.	Lumen Output	Efficacy	CRI
RXAR-300-3-VS-CP-BR-A (120W, T3, 4000K)	120W	4000K	Type III	19600lm	163 lm/W	80
RXAR-300-4-VS-CP-BR-A (120W, T4, 4000K)	120W	4000K	Type IV	19600lm	163 lm/W	80
RXAR-300-5-VS-CP-BR-A (120W, T5, 4000K)	120W	4000K	Type V	20300lm	169 lm/W	80
RXAR-400-2-VS-CP-BR-A (400W, T2, 4000K)	400W	4000K	Type II	60800lm	152 lm/W	80
RXAR-400-3-VS-CP-BR-A (400W, T3, 4000K)	400W	4000K	Type III	60800lm	152 lm/W	80
RXAR-400-4-VS-CP-BR-A (400W, T4, 4000K)	400W	4000K	Type IV	60400lm	151 lm/W	80
RXAR-400-5-VS-CP-BR-A (400W, T5, 4000K)	400W	4000K	Type V	62400lm	156 lm/W	80
RXAR-400-2-VS-CP-BR-A (360W, T2, 4000K)	360W	4000K	Type II	56200lm	156 lm/W	80
RXAR-400-3-VS-CP-BR-A (360W, T3, 4000K)	360W	4000K	Type III	56200lm	156 lm/W	80
RXAR-400-4-VS-CP-BR-A (360W, T4, 4000K)	360W	4000K	Type IV	55400lm	154 lm/W	80
RXAR-400-5-VS-CP-BR-A (360W, T5, 4000K)	360W	4000K	Type V	57600lm	160 lm/W	80
RXAR-400-2-VS-CP-BR-A (325W, T2, 4000K)	325W	4000K	Type II	49900lm	156 lm/W	80
RXAR-400-3-VS-CP-BR-A (325W, T3, 4000K)	325W	4000K	Type III	49900lm	156 lm/W	80
RXAR-400-4-VS-CP-BR-A (325W, T4, 4000K)	325W	4000K	Type IV	50900lm	159 lm/W	80
RXAR-400-5-VS-CP-BR-A (325W, T5, 4000K)	325W	4000K	Type V	52200lm	163 lm/W	80
RXAR-400-2-VS-CP-BR-A (300W, T2, 4000K)	300W	4000K	Type II	48900lm	163 lm/W	80
RXAR-400-3-VS-CP-BR-A (300W, T3, 4000K)	300W	4000K	Type III	48900lm	163 lm/W	80
RXAR-400-4-VS-CP-BR-A (300W, T4, 4000K)	300W	4000K	Type IV	48600lm	162 lm/W	80
RXAR-400-5-VS-CP-BR-A (300W, T5, 4000K)	300W	4000K	Type V	50100lm	167 lm/W	80





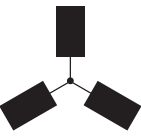

Dimensions (100/140W)



Dimensions (200/300/400W)



EPA Values

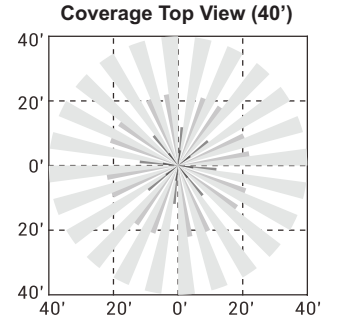
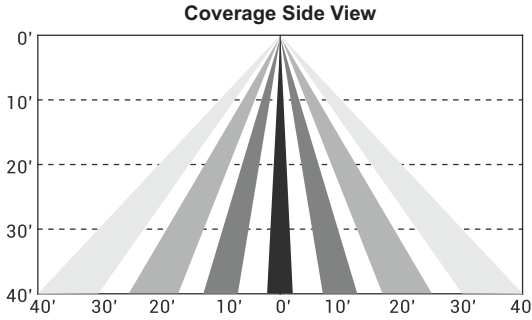
						
Model	1	2 @ 90°	2 @ 180°	3 @ 90°	3 @ 120°	4 @ 90°
100/140W	0.3632	0.6849	0.8861	1.0481	1.2078	1.0481
200/300/400W	0.4758	0.8091	1.059	1.2849	1.3923	1.2849

Specifications are subject to change without notice.
Installation must be performed in accordance with
Barron Lighting Group installation instructions.

Sensor Details - Bluetooth Enabled (Accessory LE-MS3W-AUX-HB1)



LE-MS3W-AUX-HB1



SEE APP FOR SENSOR SETTINGS

For a complete list of *litelogic* compatible products, [click here](#).



Get it from the **App Store**



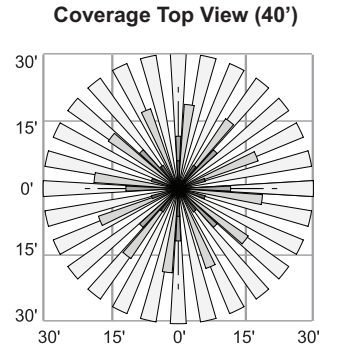
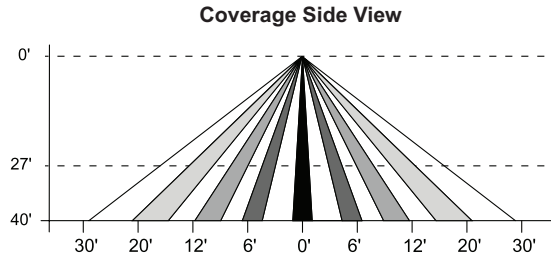
Get it from **Google Play**



Sensor Details (Accessories TL-MSP12-BL and TL-MSSW-REMOTE)



TL-MSP12-BL



Sensor Settings (TL-MSSW-REMOTE)

DETECTION RADIUS/ANGLE	MAX 60'/360°
MOUNTING HEIGHT	MAX 40'
REMOTE RANGE	MAX 33'
FREQUENCY	5.8 GHz
HIGH MODE	70%, 80%, 90%, 100% (DEFAULT 100%)
SENSITIVITY	20%, 50%, 75%, 100% (DEFAULT 100%)
HOLD TIME	10sec, 1min, 5min, 10min, 15min, 20min, 30min, 60min (DEFAULT 5min)
DAYLIGHT HARVESTING	(disabled), 10Lux, 30Lux, 50Lux, 100Lux, 150Lux, 200Lux, 300Lux (DEFAULT disabled)
STANDBY DIM SETTING	0, 10%, 20%, 30%, OFF (∞), (DEFAULT 30%)
STANDBY TIME SETTING (TO OFF)	ON (disabled), 1min, 30min, 60min (DEFAULT 30min)

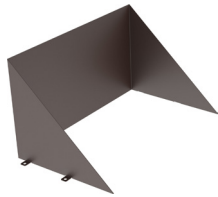


TL-MSSW-REMOTE Accessory (Sold Separately)

Shields (sold separately for field installation)



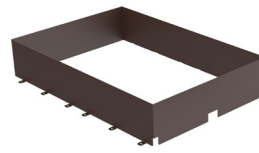
**House Side Shield
RXAR-HSS**
(Sold Separately)



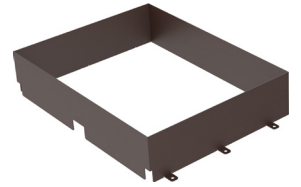
**Small Glare Shield
RXAR-S-GS-BR**
(Sold Separately)



**Large Glare Shield
RXAR-L-GS-BR**
(Sold Separately)



**Small Full Glare Shield
RXAR-S-FGS-BR**
(Sold Separately)

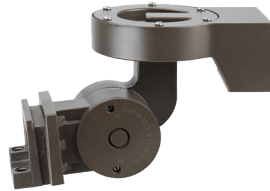


**Large Full Glare Shield
RXAR-L-FGS-BR**
(Sold Separately)

Mounting (non-standard mounts sold separately for field installation)



**Slipfitter
RXAR-SF**
For 2-3/8" O.D. Pipe with Angle
Markers (Sold Separately)



**Swivel
RXAR-SW**
Allows Fixture to Swivel and Tilt
(180° total tilt, 180° total swivel)
(Sold Separately)



**Wall Mount
RXAR-WM**
Allows for Direct Wall Mount
(Sold Separately)



**Trunnion
RXAR-TR**
(Sold Separately)



**Adjustable Pole Mount
RXAR-APM**
Adjustable Between 90° Up and
90° Down with Angle Markers
(Sold Separately)

Pole Top Arms

	<p>RT2-90-2-BR Round pole 90° tenon - 2 arms Vertical steel tenon adaptor to mount over a 2-3/8" O.D. round pole, two arms, 90°. Bronze finish.</p>		<p>RT2-120-3-BR Round pole, 120° tenon - 3 arms Vertical steel tenon adaptor to mount over a 2-3/8" O.D. round pole, three arms, 120°. Bronze finish.</p>
	<p>RT2-180-2-BR Round pole 180° tenon - 2 arms Vertical steel tenon adaptor to mount over a 2-3/8" O.D. round pole, two arms, 180°. Bronze finish.</p>		<p>RT2-90-4-BR Round pole, 90° tenon - 4 arms Vertical steel tenon adaptor to mount over a 2-3/8" round pole, four arms, 90°. Bronze finish.</p>
	<p>RT2-90-3-BR Round pole 90° tenon - 3 arms Vertical steel tenon adaptor to mount over a 2-3/8" O.D. round pole, three arms, 90°. Bronze finish.</p>		

Tenon Adaptors

	<p>ST4-BR Square tenon 4" 2-3/8" O.D. steel tenon adaptor to fit into 4" square pole. Includes 4x 5/16" hex stainless steel bolts. Bronze finish.</p>		<p>RT4-BR Round tenon 4" 2-3/8" O.D. steel tenon adaptor to fit over 4" round pole. Not suitable for tapered poles. Includes 3x 3/8" hex stainless steel bolts. Bronze finish.</p>
	<p>ST5-BR Square tenon 5" 2-3/8" O.D. steel tenon adaptor to fit into a 5" square pole. Includes 4x 5/16" hex stainless steel bolts. Bronze finish.</p>		<p>RT5-BR Round tenon 5" 2-3/8" O.D. steel tenon adaptor to fit over 5" round pole. Not suitable for tapered poles. Includes 3x 3/8" hex stainless steel bolts. Bronze finish.</p>
	<p>YM-T-BR Yoke mount tenon adaptor 2-3/8" O.D. steel tenon adaptor for use with yoke mount accessory. Bronze finish.</p>		

Wall Mount Adaptors

	<p>WM-T-90-BR Wall mount 90° tenon 2-3/8" O.D. steel tenon adaptor with 90° arm for wall mount applications, for use with slipfitter accessory. Bronze finish. 3-1/4" Spacing between mounting holes.</p>		<p>WM-T-S-BR Wall mount straight tenon 2-3/8" O.D. steel tenon adaptor arm for wall mount applications, for use with slipfitter accessory. Bronze finish.</p>
---	--	--	--