

The RM2 Series is an ideal solution for applications requiring a recessed ceiling emergency light that maintains a traditional aesthetic. Combined with a rugged steel housing, long-life LED lamp heads and reliable electronics, this fully recessed emergency unit is ideal for use in restaurants, office buildings and public locations requiring a low-profile design.

Model: \_\_\_\_\_ Date: \_\_\_\_\_  
Accessories: \_\_\_\_\_  
Job Name: \_\_\_\_\_ Type: \_\_\_\_\_

**FEATURES & BENEFITS**

- Meets City of New York Emergency Code requirements
- Two fully adjustable, high-impact 1W LED thermoplastic lamp heads deliver up to 15' on-center spacing
- Compact, flush-mount design



**SPECIFICATIONS**

**Illumination:** Fully adjustable 1W LED lamps  
**Housing:** Durable 20 gauge steel housing and trimplate  
**Input:** 120/277VAC Dual Primary, 50/60Hz  
**Battery:** Maintenance-free sealed lead calcium battery  
**Run Time:** UL Listed 90 minute emergency run time, 24 hour recharge time  
**Mounting:** Recessed ceiling mount, hanger bars included  
**Finishes:** Black or White  
**Certifications:** UL 924 Listed, meets or exceeds NEC requirements and NFPA 101  
**Warranty:** Any component that fails due to a manufacturing defect is guaranteed for five years with a separate three year prorated warranty on the battery. The warranty does not cover physical damage, abuse or instances of uncontrollable natural forces. See the full Exitronix warranty document for detailed information. (Terms and Conditions apply)



**ORDERING INFORMATION Example: RM2-W**

Series	Description	Accessories <sup>1</sup> (Field Installed)
RM2-B	Two 1 Watt LED Lamps, 6 Volt Sealed Lead Calcium Battery - Black Finish	WG-S = Wire Guard (Back Mount)
RM2-W	Two 1 Watt LED Lamps, 6 Volt Sealed Lead Calcium Battery - White Finish	XG-PS = Poly Guard (Back Mount)

**Notes**

<sup>1</sup> Order as separate line item

## CONSTRUCTION

The RM2 is manufactured using a durable 20 gauge steel enclosure with a powder coat black or white finish.

## ILLUMINATION

Square lamp heads are constructed of durable thermoplastic in a black or white finish. The heads contain high-performance chrome plated metal reflectors and plastic lens for even light distribution. The RM2 Series is supplied standard with 1 Watt high-intensity long-life LED lamps.

## ELECTRICAL

### Input

Dual-voltage input 120 or 277VAC @ 50/60Hz

### Sealed Lead Calcium Battery (Standard)

Extronix sealed lead calcium batteries are maintenance-free.

### Emergency

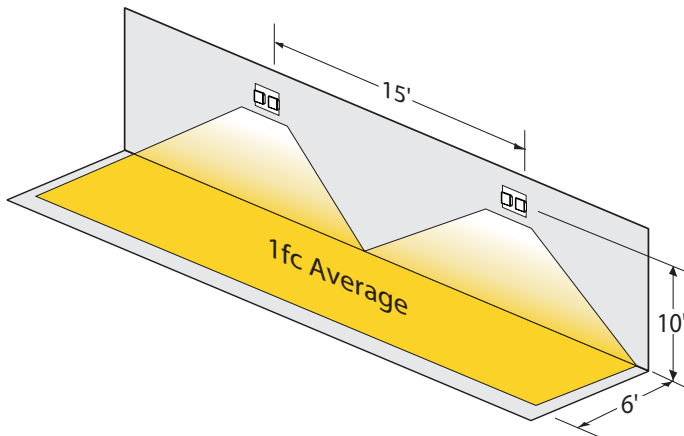
The RM2 Series will operate for a minimum of 90 minutes during a loss of power with a 24 hour maximum recharge time for the sealed lead calcium battery.

### Brownout Circuit

The brownout circuit monitors the line voltage. As the line voltage sags and can no longer provide adequate voltage, the emergency lighting circuit will turn on to supply power to the emergency lamps for 90 minutes or until the line voltage is restored.

## SAMPLE PHOTOMETRICS

Using multiple units mounted at a typical 10' ceiling height, the RM2 delivers 15' on-center spacing for a 6' wide path of egress.



## Low Voltage Disconnect

Low Voltage Disconnect (LVD) measures the battery's terminal voltage and if it should fall below a preset voltage threshold, the LVD will disconnect the load. When the battery is recharging and the voltage is raised above another preset threshold, the load is automatically reconnected.

## Overload and Short Circuit Protection

The overload monitoring system in the DC circuit disconnects the lamp load from the battery should excessive wattage demands be made.

## Test Button

The easily located test button allows for manual verification of proper operation of the transfer circuit and emergency lamps.

## INSTALLATION

The RM2 Series emergency unit is designed to be fully recessed into a drop or standard ceiling. Torsion springs securely hold the RM2 cover in place. Hanger bars included for ceiling installations allow the unit to hang securely in place.

## CONFORMANCE TO CODES & STANDARDS

The RM2 Series is UL Listed and meets or exceeds the following: UL 924, NEC requirements and NFPA 101. New York City approved and UL Listed for Dry Locations. (25°C) (77°F)

