

## IMPORTANT SAFEGUARDS READ AND FOLLOW ALL SAFETY INSTRUCTIONS.

When using electrical equipment, basic safety precautions should always be followed including the following:

- **DISCONNECT AC POWER SUPPLY BEFORE SERVICING.**
- Installation and servicing of this equipment should be performed by qualified service personnel only.
- Ensure the electricity connections conform to the National Electrical Code and local regulations if applicable.
- Do not mount near gas or electrical heaters.
- Equipment should be mounted in locations and at heights where it will not readily be subjected to tampering by unauthorized personnel.
- The use of accessory equipment not recommended by the manufacturer may cause an unsafe condition. Any modification or use of non-original components will void the warranty and product liability.
- Do not use this equipment for other than intended use.

### SAVE THESE INSTRUCTIONS!

**NOTE:**

This luminaire is designed for outdoor lighting applications with ambient temperatures not exceeding 40°C

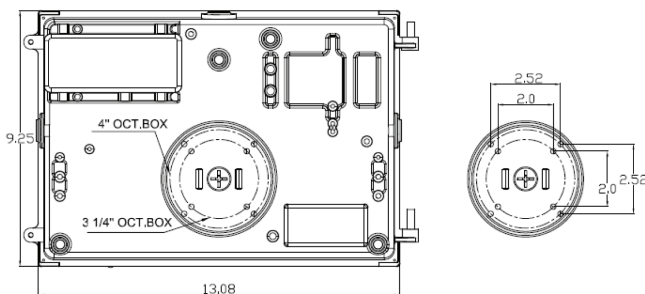
**Tools Required:**

#2 Phillips Head Screwdriver

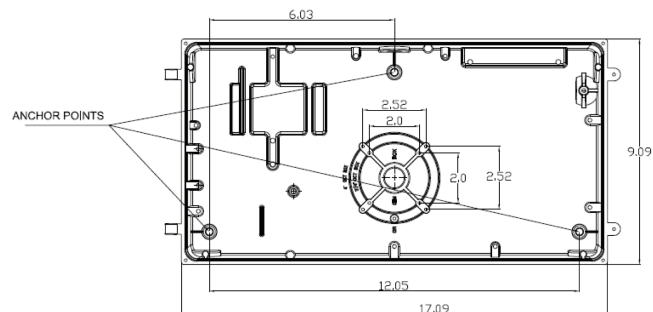
**Fixture Installation:**

- Open the fixture by loosening the two screws on the right side of the housing.
- Disconnect all wires leading from the driver to the LED board.
- Remove the LED and lens housing from the rear housing containing the driver.
- Prepare the rear housing for mounting by drilling or knocking out the appropriate holes. ( See Figures below ).
- Line up the rear housing in the desired location and mount securely.
- Note: If using electrical conduit, remove the screw cap from the desired conduit hole and replace with conduit. Route the branch circuit wires inside the fixture. If using a junction box, bring the branch circuit wires through the rear hole into the fixture.
- Splice the branch circuit power leads to the fixture power leads, black to black (hot), white to white (neutral), and green to green (ground).
- Reattach the LED and lens housing to the back housing and make wiring connections from driver to LED board

**Medium Housing**



**Large Housing**



**IMPORTANT:** To weather-proof your outdoor installation, use silicone sealant to seal all holes in the fixture housing (mounting, conduit, plugs, photocontrols, etc.) and all edges between the fixture housing and the mounting surface.