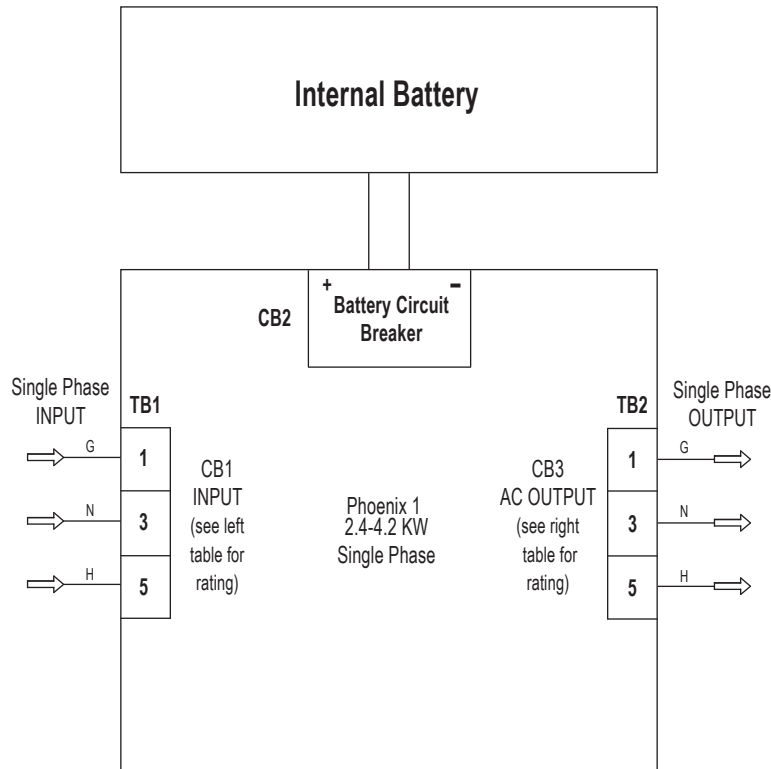


Phoenix 1 Series

Integration

| KW | Input Voltage | Utility Feed Amps |
|-----|---------------|-------------------|
| 2.4 | 120 | 30 |
| | 208 | 17.3 |
| | 240 | 15 |
| | 277 | 13 |
| | 480 | 7.5 |
| 2.6 | 120 | 32.5 |
| | 208 | 18.8 |
| | 240 | 16.3 |
| | 277 | 14.1 |
| | 480 | 8.1 |
| 3.0 | 120 | 37.5 |
| | 208 | 21.6 |
| | 240 | 18.8 |
| | 277 | 16.2 |
| | 480 | 9.4 |
| 3.4 | 120 | 42.5 |
| | 208 | 24.5 |
| | 240 | 21.3 |
| | 277 | 18.4 |
| | 480 | 10.6 |
| 3.8 | 120 | 47.5 |
| | 208 | 27.4 |
| | 240 | 23.4 |
| | 277 | 20.6 |
| | 480 | 11.9 |
| 4.2 | 120 | 52.5 |
| | 208 | 30.3 |
| | 240 | 26.3 |
| | 277 | 22.7 |
| | 480 | 13.1 |



| KW | Output Voltage | Max Output Amps |
|-----|----------------|-----------------|
| 2.4 | 120 | 20 |
| | 277 | 8.7 |
| | 480 | 5 |
| | 120/240 | 10 |
| | 120/277 | 20/8.7 |
| 2.6 | 120 | 21.7 |
| | 277 | 9.4 |
| | 480 | 5.4 |
| | 120/240 | 10.8 |
| | 120/277 | 21.7/9.4 |
| 3.0 | 120 | 25 |
| | 277 | 10.8 |
| | 480 | 6.3 |
| | 120/240 | 12.5 |
| | 120/277 | 25/10.8 |
| 3.4 | 120 | 28.4 |
| | 277 | 12.3 |
| | 480 | 7.1 |
| | 120/240 | 14.2 |
| | 120/277 | 28.4/12.3 |
| 3.8 | 120 | 31.7 |
| | 277 | 13.7 |
| | 480 | 7.9 |
| | 120/240 | 15.9 |
| | 120/277 | 31.7/13.7 |
| 4.2 | 120 | 35 |
| | 277 | 15.2 |
| | 480 | 8.8 |
| | 120/240 | 17.5 |
| | 120/277 | 35/15.2 |