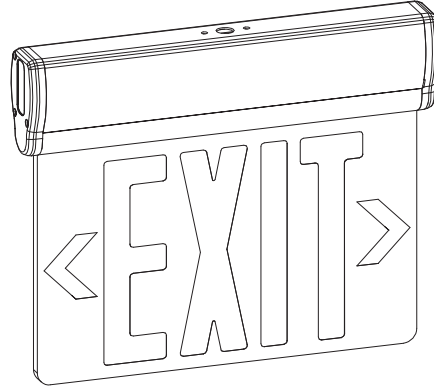


NY900U Series

Installation Instructions



IMPORTANT SAFEGUARDS READ AND FOLLOW ALL SAFETY INSTRUCTIONS.

When using electrical equipment, basic safety precautions should always be followed including the following:

- **DISCONNECT AC POWER SUPPLY BEFORE SERVICING.**
- Installation and servicing of this equipment should be performed by qualified service personnel only.
- Ensure that the electrical wiring conforms to the National Electrical Code NEC® and local regulations, if applicable.
- Do not mount near gas or electrical heaters.
- Do not use outdoors.
- Do not let power cords touch hot surfaces.
- Equipment should be mounted in locations and at heights where it will not be readily subjected to tampering by unauthorized personnel.
- The use of accessory equipment not recommended by the manufacturer may cause an unsafe condition.
- Any modification or use of non-original components will void the warranty and product liability.
- Do not use this equipment for other than intended use.
- Allow battery to charge for 24 hours before first use.
- Use caution when servicing batteries. Battery acid can cause burns to skin and eyes. If acid is spilled on skin or eyes, flush acid with fresh water and contact a physician immediately.

SAVE THESE INSTRUCTIONS!

Technical Support ■ (623) 580-8943 ■ technicalsupport@barrontlg.com

NY900U Series

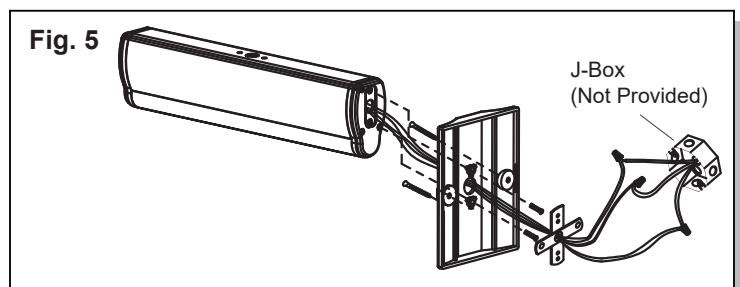
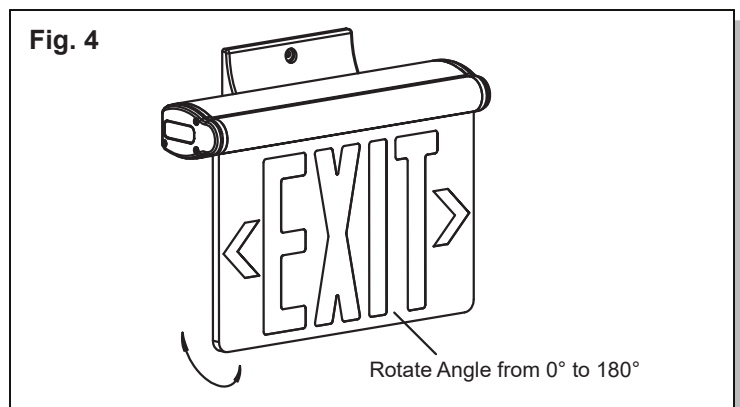
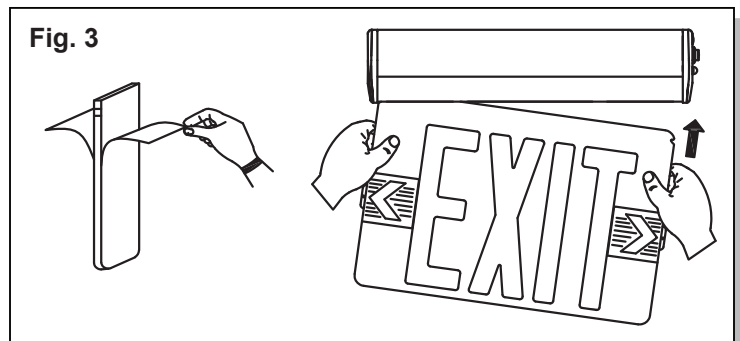
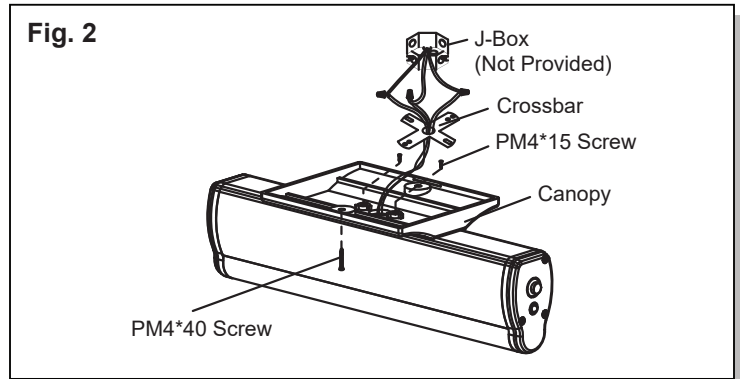
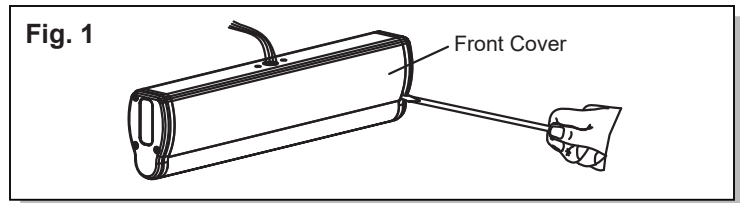
Installation Instructions

Surface Ceiling or Surface Wall Mount

1. Secure the crossbar to the J-box using appropriate hardware (provided by others).
2. Using a screwdriver, carefully open the front cover. (Fig. 1)
3. Secure the canopy to the enclosure using the included (2) screws. (Fig. 2)
4. Route wires through the center hole of the enclosure and the canopy.
5. Make electrical connections; see **Electrical Connections** section.
6. Secure the canopy to the crossbar using the included (2) screws.
7. Connect the battery, if included, to the PCBA.
8. Peel off the protective film from the EXIT panel, then carefully insert the EXIT panel into the opening in the enclosure, making sure to face the panel in the correct orientation. (Fig. 3)
9. Peel off the appropriate chevrons from the EXIT panel, as desired.
10. Snap the front cover back into place.
11. Rotate the EXIT panel as needed for the mounting application. The EXIT panel can rotate from 0° to 180°. (Fig. 4)

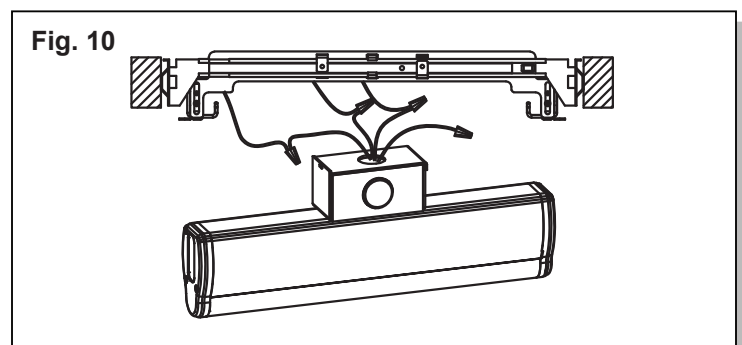
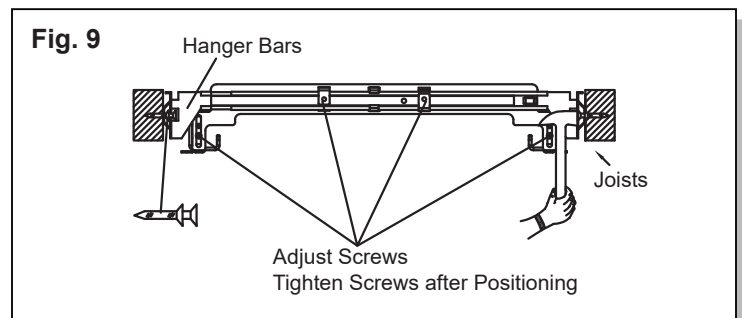
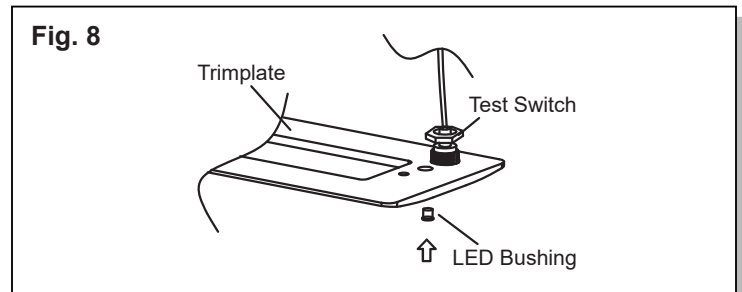
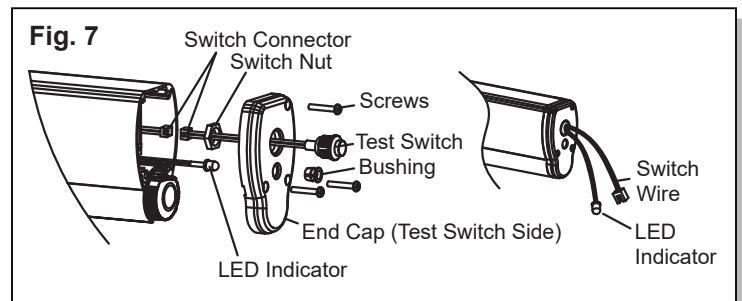
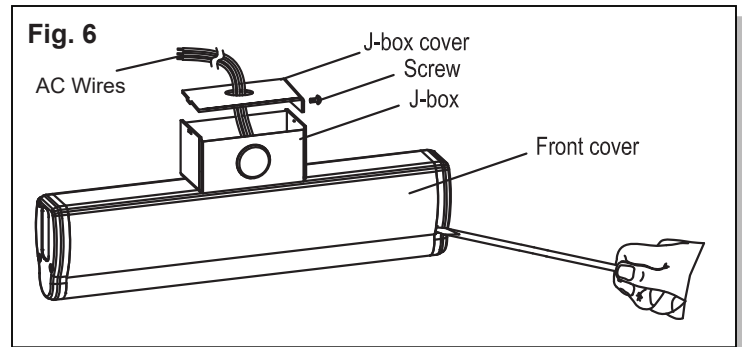
End Mount

1. Follow steps 1 and 2 in the **Surface Ceiling or Surface Wall Mount** section.
2. Remove the hole plug from the end cap.
3. Secure the canopy to the end cap using the included (2) PM4x15 screws. (Fig. 5)
4. Route wires through the hole in the end cap and the canopy.
5. Follow steps 5-11 in the **Surface Ceiling or Surface Wall Mount** section to finish installation.



Recessed Ceiling or Recessed Wall Mount

1. Using a screwdriver, carefully open the front cover. (Fig. 6)
2. Remove the J-box cover from the included J-box and punch out the knockout from the J-box cover.
3. Secure the J-box to the top of the fixture using screws.
4. Route wires through the J-box and the J-box cover.
5. Remove the end cap with the test switch and LED indicator. (Fig. 7)
6. Remove the test switch, LED indicator, and bushing from the end cap, then route the test switch and LED indicator wires out of the end cap, as shown.
7. Resecure the end cap to the fixture.
8. Install the test switch and LED indicator bushing in the trimplate. (Fig. 8)
9. Position the recessed kit between joists, making sure the hanger bars are positioned correctly. Use the adjusting screws to guide the hanger bars. The bottom of the recessed housing should be level with the bottom of the joist. Secure temporarily by hammering in the nail-in tabs, then permanently with nails. (Fig. 9)
10. Adjust the height of the recessed kit as needed, then tighten all screws to secure the adjusting bracket and hanger bars.
11. Make electrical connections; see **Electrical Connections** section. (Fig. 10)
12. Follow steps 7-10 in the **Surface Ceiling or Surface Wall Mount** section.

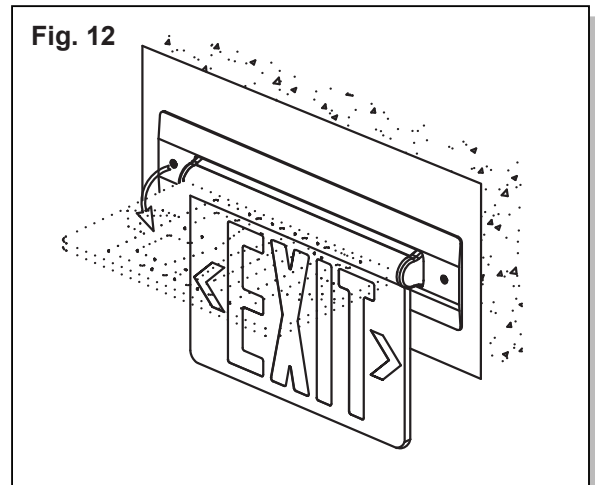
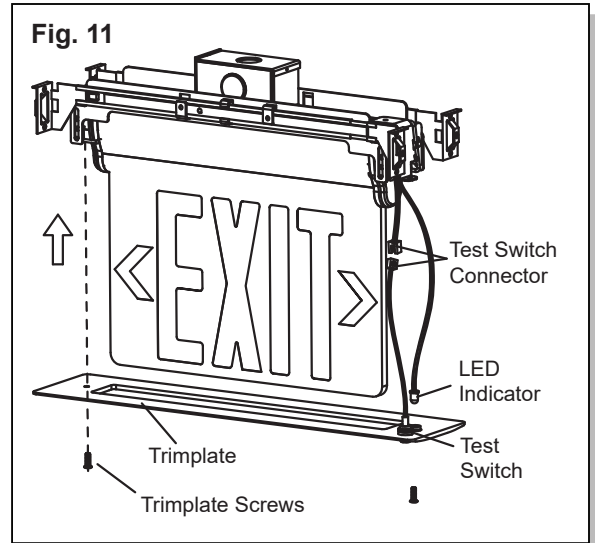


NY900U Series

Installation Instructions

Recessed Ceiling or Recessed Wall Mount, Continued

13. Guide the fixture into the hanger bracket until it snaps into place.
(Fig. 11)
14. Connect the test switch and install the LED indicator into the bushing in the trimplate.
15. Secure the trimplate to the metal box using (2) screws.
16. For recessed wall mount applications, rotate the EXIT panel 90°.
(Fig. 12)



Electrical Connections

All electrical connections should be made inside the J-box. Make electrical connections as follows (Fig. 13):

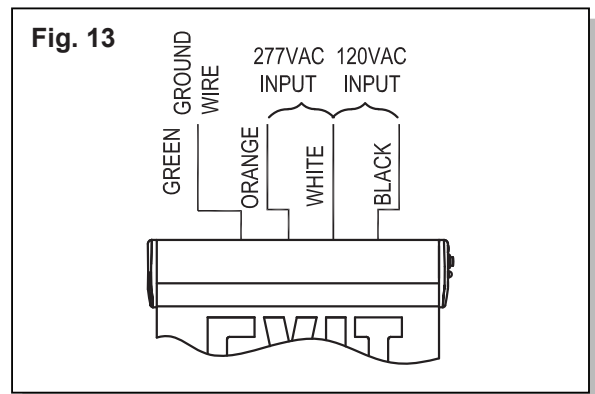
120VAC

White - Common
Black - 120VAC
Green - Ground

277VAC

White - Common
Orange - 277VAC
Green - Ground

Note: Cap unused leads to prevent shorting.



Self-Test/Self-Diagnostics (G2)

Operation

The purpose of this option is to provide Self-testing and Self-diagnostic capabilities to the emergency unit. At predetermined intervals, the emergency unit will automatically switch into battery mode. Refer to the **Self-Test Feature** section below for timing details. The emergency unit will also perform various Self-diagnostic tests to determine if there are any faults. Visual signaling will alert maintenance personnel to a fault of the emergency unit electronics, battery, and/or battery charger. The circuitry continuously monitors the operating condition of the emergency unit and battery charging circuit/battery supply voltage. Refer to the **LED Indicator** section below for fault reporting details.

Self-Test Feature

- The emergency unit will automatically switch to battery mode every month for a period of 1 minute.
- The emergency unit will automatically switch to battery mode every 6 months for a period of 30 minutes.
- The emergency unit will automatically switch to battery mode every 12 months for a period of 90 minutes.

LED Indicator

Once the unit is properly installed according to the installation instruction sheet and AC power is supplied, the unit will turn on and the Self-diagnostic test function will initiate. After this, the bi-color LED will indicate the status of the unit.

- A steady green LED indicates that normal AC power is being supplied to the emergency unit and the battery is charged.
- A blinking green LED indicates that the unit is in battery mode. Refer to the **Test Button Feature** section below for manual test details.
- A red LED indicates whenever the Self-diagnostic system has detected a fault condition. Refer to the chart below to determine the fault condition:

Red LED Indication	Unit Fault	Corrective Action
Blinking 1 Time	Battery is Disconnected	Check Battery Connection
Blinking 2 Times	Battery Failure	Check Battery Then Consult Factory
Blinking 3 Times	Charger Board Circuit Fault	Check Battery Then Consult Factory
Blinking 4 Times	Transfer Function Failure	Check Battery Then Consult Factory
Blinking 7 Times	LED Strip Fault	Check Battery Then Consult Factory

Test Button Feature

MANUAL TEST – Pressing the test button will switch the unit into battery mode for a set amount of time. The desired length of the test is determined by the number of times the test button is pressed.

- Pressing the test button once will switch the unit into battery mode for a period of 30 seconds.
- Pressing the test button twice within 2 seconds will switch the unit into battery mode for a period of 3 minutes.
- Pressing the test button 3 times within 2 seconds will switch the unit into battery mode for a period of 30 minutes.
- Pressing the test button 4 times within 2 seconds will switch the unit into battery mode for a period of 90 minutes.

RESET – Pressing and holding the test button for 2 seconds will reset the LED to a steady green. If multiple faults are present, it may be necessary to repeat this procedure for each remaining fault indicated by the blinking red LED.

Use in accordance with local building codes.