

Model: \_\_\_\_\_ Date: \_\_\_\_\_  
Accessories: \_\_\_\_\_  
Job Name: \_\_\_\_\_ Type: \_\_\_\_\_

### Available Mounting Accessories (Field Installed):

#### Pole Top Arms



**RT2-90-2-BR**  
Round pole 90° tenon - 2 arms  
Vertical steel tenon adaptor to mount over a 2-3/8" O.D. round pole, two arms, 90°. Bronze finish.



**RT2-120-3-BR**  
Round pole, 120° tenon - 3 arms  
Vertical steel tenon adaptor to mount over a 2-3/8" O.D. round pole, three arms, 120°. Bronze finish.



**RT2-180-2-BR**  
Round pole 180° tenon - 2 arms  
Vertical steel tenon adaptor to mount over a 2-3/8" O.D. round pole, two arms, 180°. Bronze finish.



**RT2-90-4-BR**  
Round pole, 90° tenon - 4 arms  
Vertical steel tenon adaptor to mount over a 2-3/8" round pole, four arms, 90°. Bronze finish.



**RT2-90-3-BR**  
Round pole 90° tenon - 3 arms  
Vertical steel tenon adaptor to mount over a 2-3/8" O.D. round pole, three arms, 90°. Bronze finish.

#### Tenon Adaptors



**ST4-BR**  
Square tenon 4"  
2-3/8" O.D. steel tenon adaptor to fit into 4" square pole. Includes 4x 5/16" hex stainless steel bolts. Bronze finish.



**RT4-BR**  
Round tenon 4"  
2-3/8" O.D. steel tenon adaptor to fit over 4" round pole. Not suitable for tapered poles. Includes 3x 3/8" hex stainless steel bolts. Bronze finish.



**ST5-BR**  
Square tenon 5"  
2-3/8" O.D. steel tenon adaptor to fit into a 5" square pole. Includes 4x 5/16" hex stainless steel bolts. Bronze finish.



**RT5-BR**  
Round tenon 5"  
2-3/8" O.D. steel tenon adaptor to fit over 5" round pole. Not suitable for tapered poles. Includes 3x 3/8" hex stainless steel bolts. Bronze finish.



**YM-T-BR**  
Yoke mount tenon adaptor  
2-3/8" O.D. steel tenon adaptor for use with yoke mount accessory. Bronze finish.

#### Wall Mount Adaptors

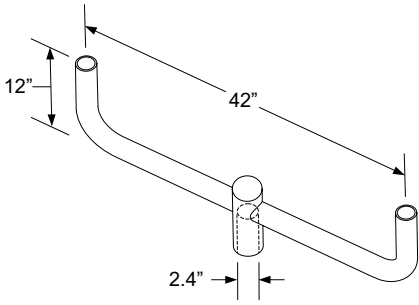


**AXL2-80/280-W90**  
Wall mount 90° tenon  
2-3/8" O.D. steel tenon adaptor with 90° arm for wall mount applications, for use with slipfitter accessory. Bronze finish. 3-1/4" Spacing between mounting holes.



**AXL2-80/280-W**  
Wall mount straight tenon  
2-3/8" O.D. steel tenon adaptor arm for wall mount applications, for use with slipfitter accessory. Bronze finish.

**Bullhorns**



**Double 180° Bullhorn Mounting Bracket**  
AXL2-80/280-BD  
EPA Value = 1.4 square feet