

DESCRIPTION

The MODR6 6" Recessed Retrofit Downlight features an integrated LED power supply and thermal management system. This efficient design is engineered to easily fit into most standard 5"/6" recessed housings, making it an ideal choice for retrofits, remodels, and new construction projects alike.

SPECIFICATIONS

Construction:

- Easy clip-in installation to 5"/6" can housing with no additional accessories, compatible with BL9ICLED Series
- E26 Medium screw-base Edison connector provides easy retrofit of incandescent housings
- Polycarbonate driver housing and aluminum reflector

Optics/LEDs:

- 14W Produces up to 1,000 lumens
- Field-switchable color temperature between 2700K, 3000K, 3500K, 4000K and 5000K CCT
- CRI > 90
- 100° Beam angle
- L70 > 100,000hrs

Electrical:

- Triac Dimming
- Saves up to 75% energy compared to incandescent sources
- EN61000-4-5 surge protection (0.5kV)
- Power factor ≥ 0.90 with input
- 120VAC, 60Hz
- Operating temperature: -20°C to 45°C (-4°F to 113°F)

Testing & Compliance:

- cETLus Listed for Damp Locations
- IC Rated
- Energy Star / JA8 T24 under part number 6HVCT15HRzz
- Complies with FCC Part 15, class B

Warranty:

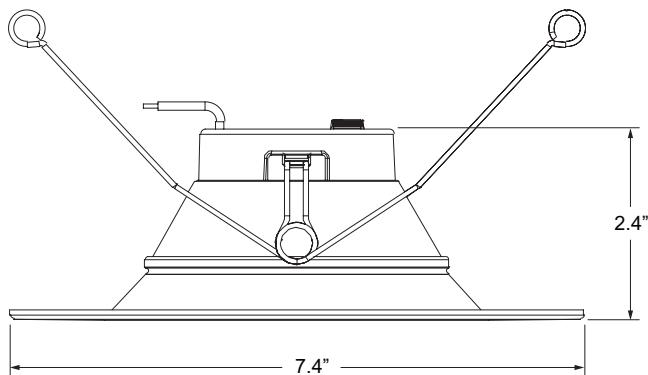
- Five year warranty (terms and conditions apply)

Model: _____ Date: _____
Accessories: _____
Job Name: _____ Type: _____



ORDERING INFORMATION Example: MODR6-10L-KFS

Model	Description
MODR6-10L-KFS	6" Recessed LED Downlight, 1,000 Nominal Lumens, Field-Switchable 2700K, 3000K, 3500K, 4000K, or 5000K



Model	Weight
MODR6-10L-KFS	0.33 lbs