

**DESCRIPTION**

The MODR4 4" Recessed Retrofit Downlight features an integrated LED power supply and thermal management system. This efficient design is engineered to easily fit into most standard 4" recessed housings, making it an ideal choice for retrofits, remodels, and new construction projects alike.

**SPECIFICATIONS**

**Construction:**

- Easy clip-in installation to 4" can housing with no additional accessories, compatible with BL4ICLED Series
- E26 Medium screw-base Edison connector provides easy retrofit of incandescent housings
- Polycarbonate driver housing and aluminum reflector

**Optics/LEDs:**

- 10W Produces up to 700 lumens
- Field-switchable color temperature between 2700K, 3000K, 3500K, 4000K and 5000K CCT
- CRI > 90
- 100° Beam angle
- L70 > 100,000hrs

**Electrical:**

- Triac Dimming
- Saves up to 75% energy compared to incandescent sources
- EN61000-4-5 surge protection (0.5kV)
- Power factor ≥ 0.90 with input
- 120VAC, 60Hz
- Operating temperature: -20°C to 45°C (-4°F to 113°F)

**Testing & Compliance:**

- cETLus Listed for Damp Locations
- IC Rated
- Energy Star / JA8 T24 under part number 4HVCT10HRzz
- Complies with FCC Part 15, class B

**Warranty:**

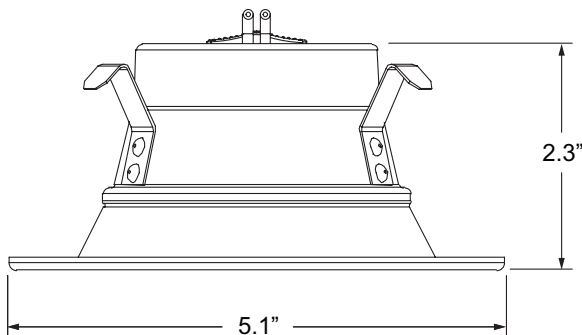
- Five year warranty (terms and conditions apply)

Model: \_\_\_\_\_ Date: \_\_\_\_\_  
 Accessories: \_\_\_\_\_  
 Job Name: \_\_\_\_\_ Type: \_\_\_\_\_



**ORDERING INFORMATION** Example: MODR4-7L-KFS

Model	Description
MODR4-7L-KFS	4" Recessed LED Downlight, 700 Nominal Lumens, Field-Switchable 2700K, 3000K, 3500K, 4000K, or 5000K



Model	Weight
MODR4-7L-KFS	0.19 lbs