

The LRP Series has been developed with versatility, durability and architectural appeal in mind. The injection-molded thermoplastic housing is both impact-resistant and UV-stabilized. The LRP is supplied with your choice of 6V or 12V and manufactured with a range of 50W to 100W.

Model: _____ Date: _____
Accessories: _____
Job Name: _____ Type: _____

FEATURES & BENEFITS

- Completely self-contained
- Rugged, injection-molded UL 94 5VA flame-retardant, high-temperature thermoplastic housing
- Fully adjustable, high-intensity tungsten lamp heads with 7.2W for 6V options, and 12W for 12V options
- AC lockout for ease of installation and installer protection
- UL Listed 90 minute emergency run time, 24 hour recharge time

SPECIFICATIONS

Illumination: Fully adjustable, high-intensity tungsten lamp heads with 7.2W for 6V options, and 12W for 12V options

Housing: UL 94 5VA flame-retardant thermoplastic housing

Input: 120/277VAC Dual primary, 60Hz

Battery: Maintenance-free lead calcium battery

Operating Temp: 15°C to 40°C (59°F to 104°F)

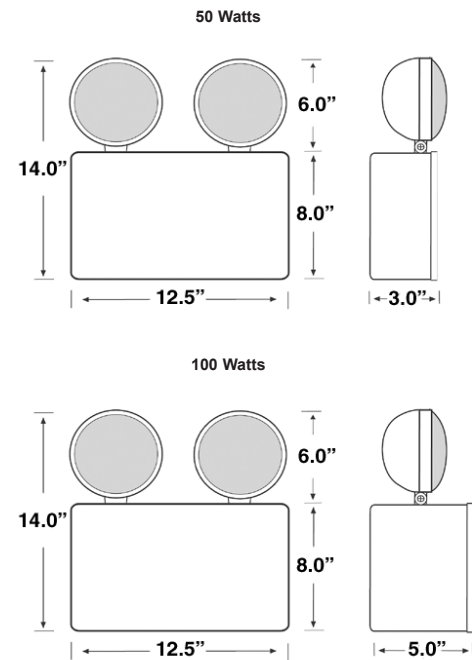
Run Time: UL Listed 90 minute emergency run time, 24 hour recharge time

Mounting: Surface mounted utilizing a universal J-box mounting pattern and gasket provided

Finishes: Beige

Certifications: UL 924 Listed, meets or exceeds NEC requirements and NFPA 101

Warranty: Any component that fails due to a manufacturing defect is guaranteed for five years with a separate two year prorated warranty on the battery. The warranty does not cover physical damage, abuse or instances of uncontrollable natural forces. See the full Exitronix warranty document for detailed information.



ORDERING INFORMATION Example: LRP6-50

Series	Wattage	Lamps ¹	Accessories ² (Field Installed)
LRP6 = 6 Volt	6 Volt	Blank = Standard (2 X lamps)	XG-6 = Poly Guard (Back Mount)
LRP12 = 12 Volt	50 = 50 Watts	0 = No Lamps	
	100 = 100 Watts		
	12 Volt		
	50 = 50 Watts		
	100 = 100 Watts		

Notes

- ¹ Compatible with any 6V or 12V incandescent lamps, not to exceed total watts capacity (including integral lamps)
- ² Order as separate line item

CONSTRUCTION

The LRP Series is a precision-molded unit with lamp housings constructed of UV-stable UL 94 5VA flame-retardant, corrosion-proof thermoplastic. Unit resists denting, peeling and scratching. Not recommended for outdoor use. Tool-less access provided for easy maintenance, universal J-box mounting pattern and keyhole slots provided for simple installation.

ILLUMINATION

Two fully adjustable, attractive lamp heads allow for maximum light to be delivered to the path of egress. Emergency lights consist of two 6V, 7.2W or 12V, 12W wedge base tungsten lamps.

ELECTRICAL**Input**

Dual-voltage input 120/277VAC @ 60Hz.

Sealed Lead Calcium Battery

Exitronix sealed lead calcium batteries are maintenance-free and perform optimally in temperatures ranging from 15°C to 40°C (59°F to 104°F).

Emergency

The LRP Series will operate for a minimum of 90 minutes during a loss of power with a 24 hour maximum recharge time for the battery.

Test Button

Our easily located test button allows for manual verification of proper operation of the transfer circuit and emergency lamps.

INSTALLATION

This emergency unit can be surface mounted utilizing a universal J-box mounting pattern and gasket provided.

CONFORMANCE TO CODES & STANDARDS

The LRP Series is UL Listed and meets or exceeds the following: UL 924, NEC requirements and NFPA 101. American Recovery and Reinvestment Act (ARRA) compliant (with USA option).

OPERATION INFORMATION

Voltage	Series	Watts for 1½ Hours	Lamp Watts	Total Connected Heads/Fixtures		
				4-Hrs	2-Hrs	1½ Hrs
6	LRP6-50	54	7.2	2	4	6
6	LRP6-100	100	7.2	3	6	11
12	LRP12-50	54	12	N/A	3	4
12	LRP12-100	100	12	3	6	8