



IMPORTANT SAFEGUARDS READ AND FOLLOW ALL SAFETY INSTRUCTIONS.

When using electrical equipment, basic safety precautions should always be followed including the following:

- **DISCONNECT AC POWER SUPPLY BEFORE SERVICING.**
- Installation and servicing of this equipment should be performed by qualified service personnel only.
- Ensure that the electrical wiring conforms to the National Electrical Code NEC® and local regulations if applicable.
- Do not mount near gas or electrical heaters.
- Equipment should be mounted in locations and at heights where it will not be readily subjected to tampering by unauthorized personnel.
- The use of accessory equipment not recommended by the manufacturer may cause an unsafe condition.
- Any modification or use of non-original components will void the warranty and product liability.
- Do not use this equipment for other than intended use.
- Proper grounding of the fixture is essential for protection from shock, correct operation of the electronic driver and the elimination of electrical interference.

SAVE THESE INSTRUCTIONS!

Technical Support ■ (623) 580-8943 ■ technicalsupport@barronltg.com

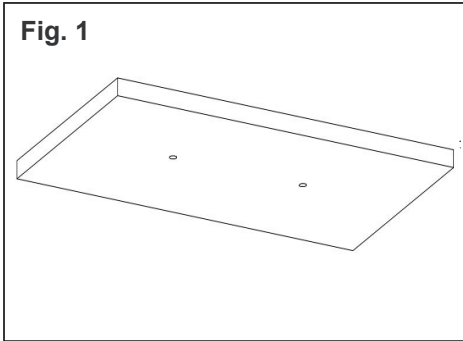


Fig. 1

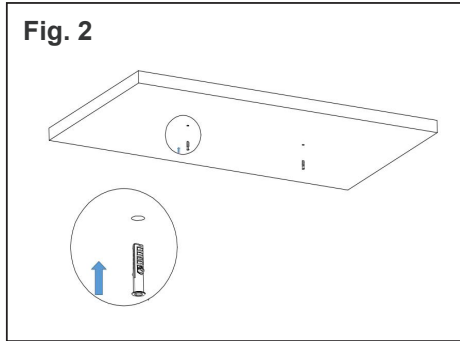


Fig. 2

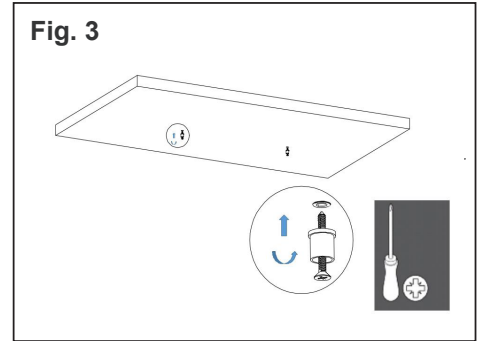


Fig. 3

1. Drill two holes (Fig. 1). Use appropriate hardware for application. A 7/32" hole is needed if anchors with the kit are used. The spacing between each hole is:

2x2 = 23-11/16"

1x4 = 43-5/16"

2x4 = 43-5/16"

2. Insert the anchors into the holes (Fig. 2).

3. Insert the screws into the anchors (Fig. 3).

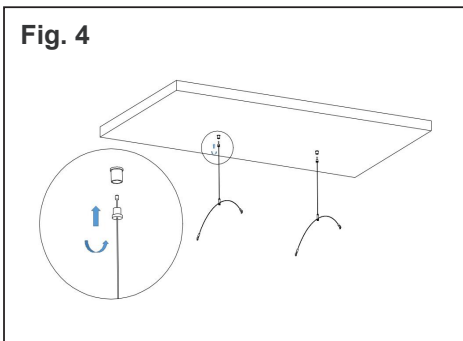


Fig. 4

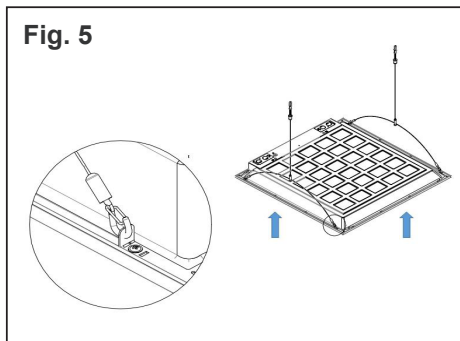


Fig. 5

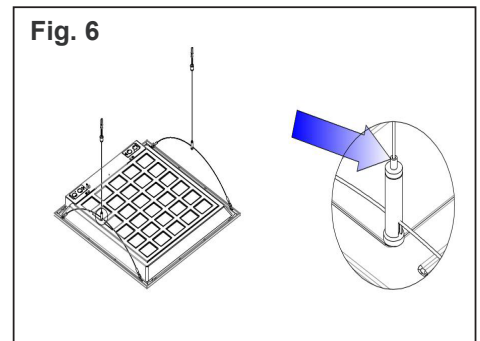


Fig. 6

4. Screw the two cables into the panel. (Fig. 4).

5. Attach the clips to the panel (Fig. 5).

6. Adjust the height (Fig. 6).