



IMPORTANT SAFEGUARDS READ AND FOLLOW ALL SAFETY INSTRUCTIONS.

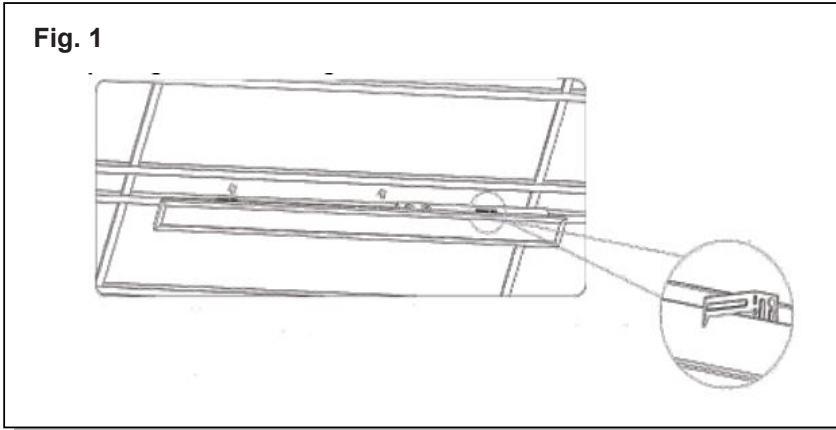
When using electrical equipment, basic safety precautions should always be followed including the following:

- **DISCONNECT AC POWER SUPPLY BEFORE SERVICING.**
- Installation and servicing of this equipment should be performed by qualified service personnel only.
- Ensure that the electrical wiring conforms to the National Electrical Code NEC® and local regulations if applicable.
- Do not mount near gas or electrical heaters.
- Do not use outdoors.
- Equipment should be mounted in locations and at heights where it will not be readily subjected to tampering by unauthorized personnel.
- The use of accessory equipment not recommended by the manufacturer may cause an unsafe condition.
- Any modification or use of non-original components will void the warranty and product liability.
- Do not use this equipment for other than intended use.
- Do not restrict fixture ventilation.
- Ensure LED fixture is not covered with material that will prevent convection or conducting cooling.
- Ensure LED fixture has the correct polarity before installation.
- Avoid exposing wiring to metal edges and sharp objects.
- Perform visual, electrical, and mechanical inspections on a regular basis.

SAVE THESE INSTRUCTIONS!

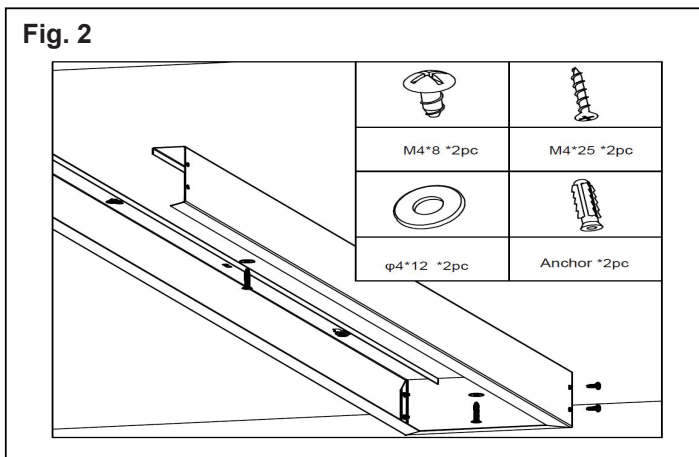
Technical Support ■ (623) 580-8943 ■ technicalsupport@barronltg.com

T-Grid Drop Ceiling Recessed Mount Installation

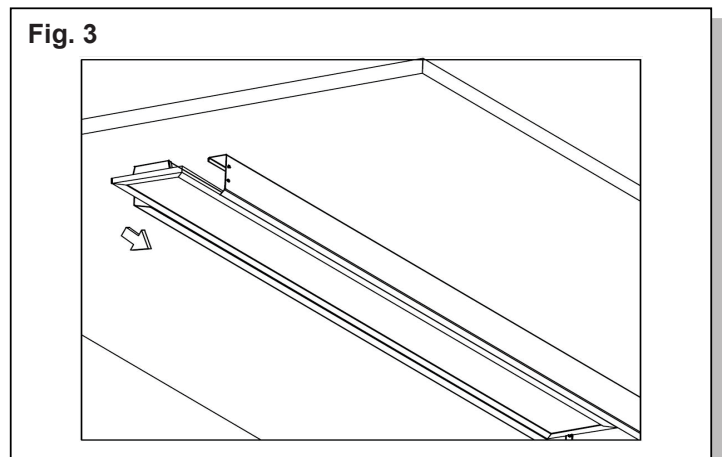


1. Install the fixture into the ceiling using the attached mounting clips. (Fig. 1)

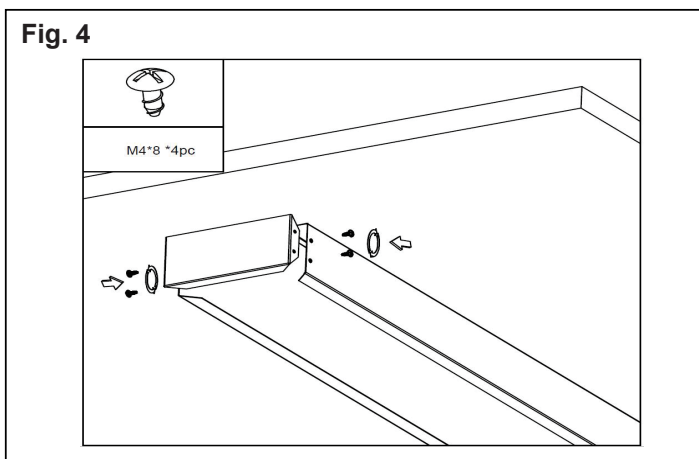
Surface Mount Installation



1. Assemble two long flanges with one short flange into a “U” shape and secure with screws, as shown. Secure the assembly to the ceiling. (Fig. 2)

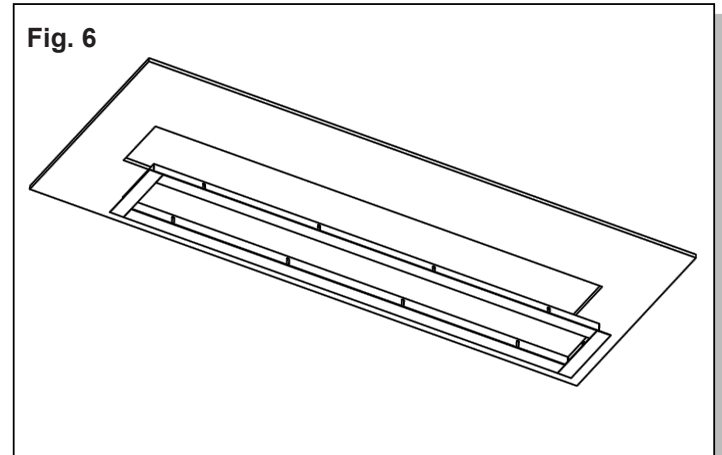
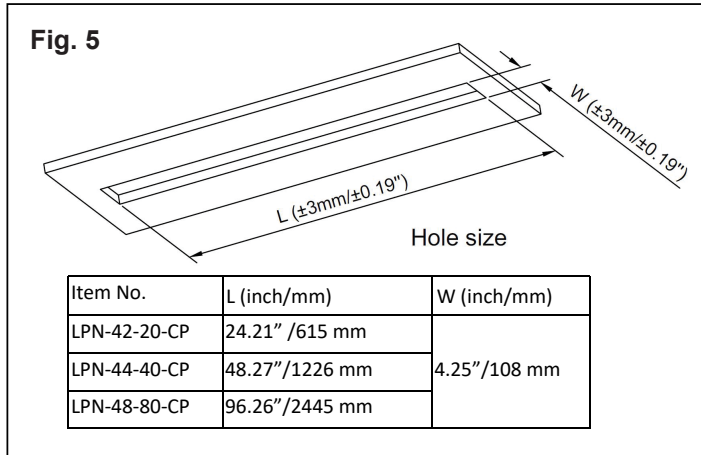


2. Slide the fixture into the “U” shape. (Fig. 3)



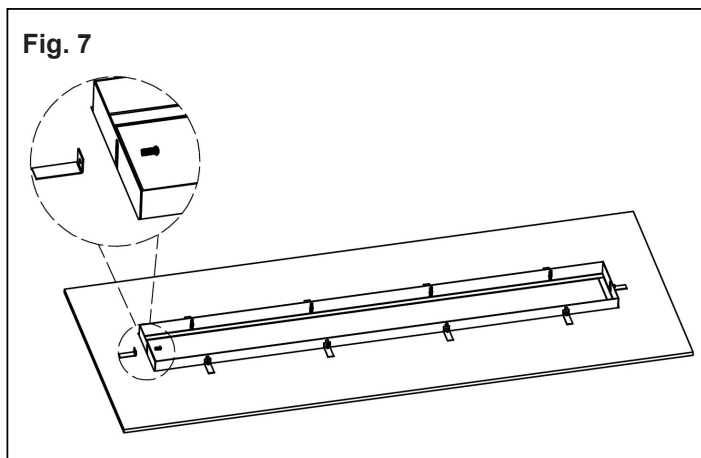
3. Install the other short flange. (Fig. 4)

Drywall Recessed Mounting Installation

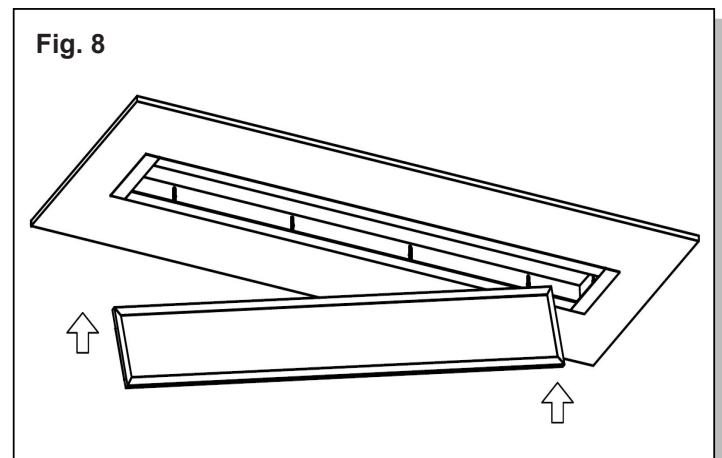


1. Cut a hole in the drywall for the recessed kit, referring to the dimensions in the table. (Fig. 5)

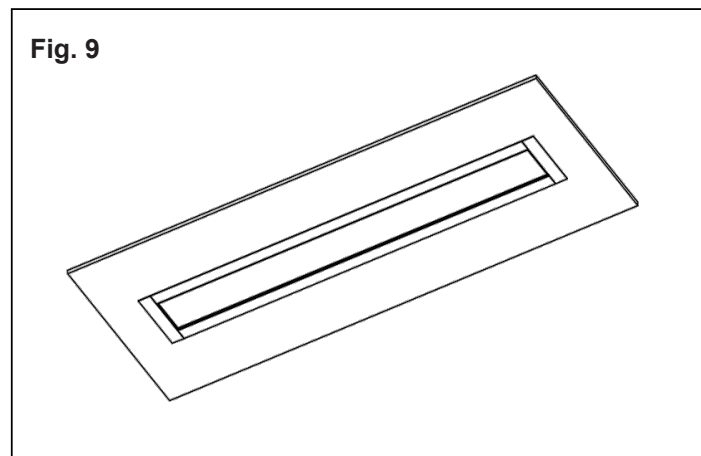
2. Assemble the flanges together and insert into the hole. (Fig. 6)



3. Use the L-brackets and screws to fasten the kit tightly to the ceiling. (Fig. 7)

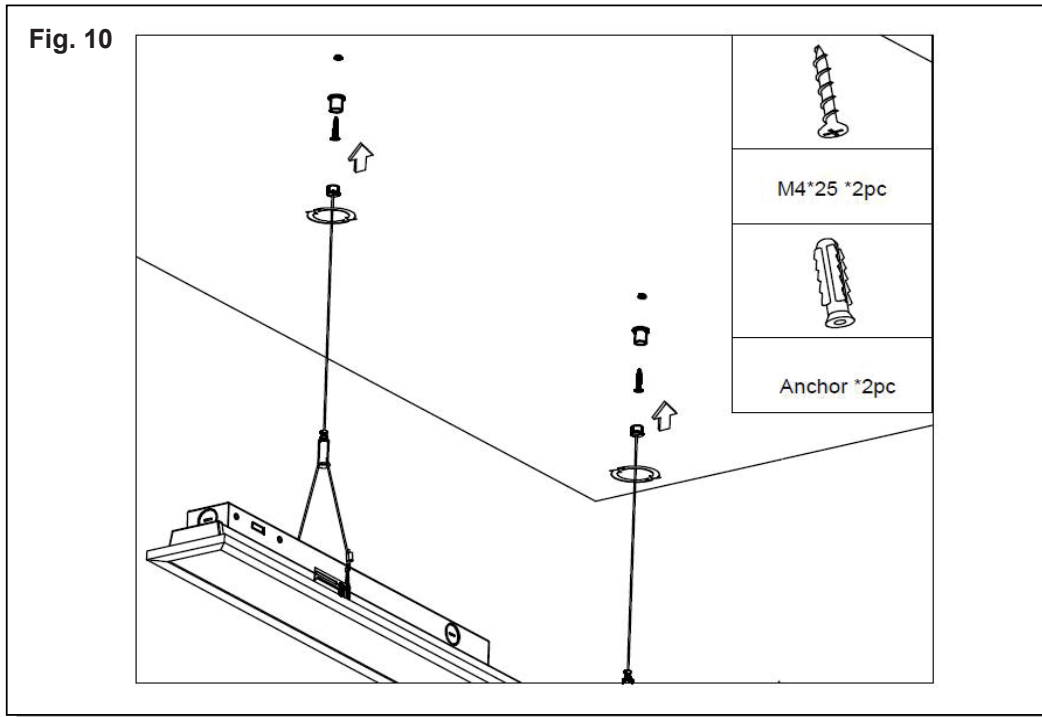


4. Guide the linear panel through the hole and lay it down flat within the recessed kit. (Fig. 8)



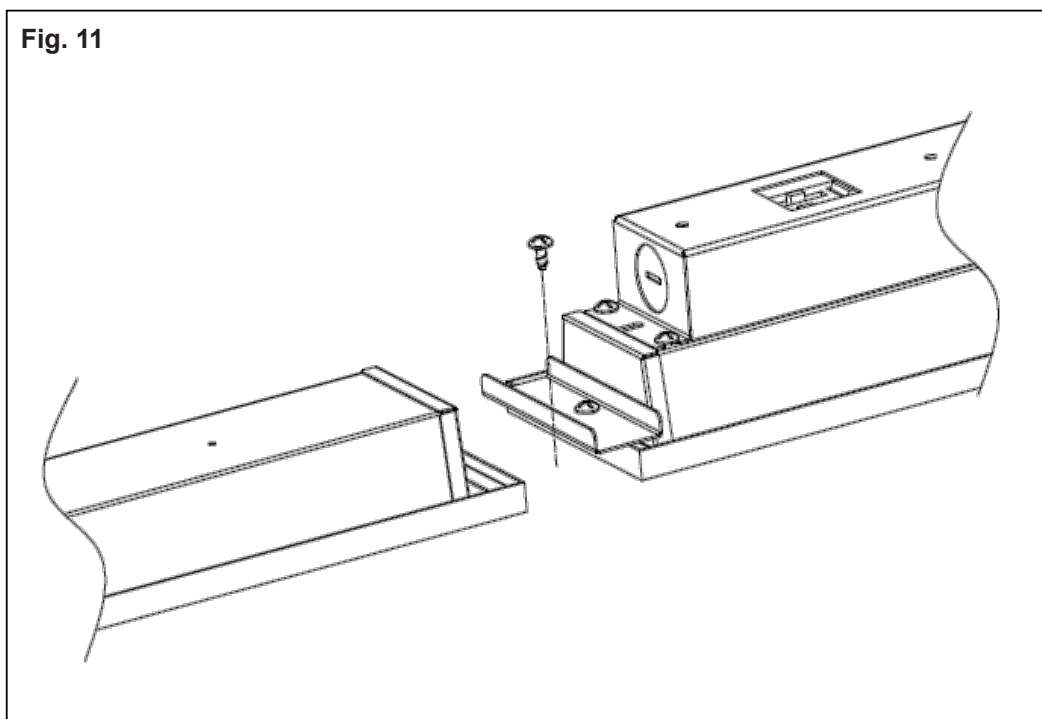
5. Finished product. (Fig. 9)

Suspended Mount Installation



1. Secure the “Y” aircraft cables into the ceiling, then hang up the fixture. (Fig. 10)

End to End Connection



1. Use the end-to-end connector and screws to connect linear panels together. (Fig. 11)

Electrical Connections

Make electrical connections per the Wiring Diagram. (Fig. 12)

- Connect the line fixture lead to the black supply lead.
- Connect the common fixture lead to the white supply lead.
- Connect the ground lead from the service to the ground lead coming from the driver plate.

Note: If dimming wires are not used make sure they are capped.
This fixture auto adjusts for voltages between 120-277VAC.

