

IMPORTANT SAFEGUARDS READ AND FOLLOW ALL SAFETY INSTRUCTIONS.

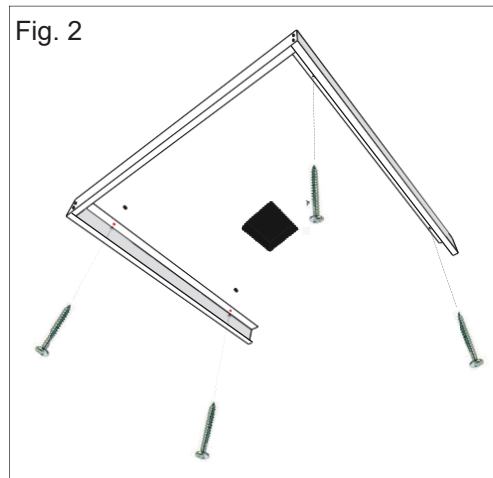
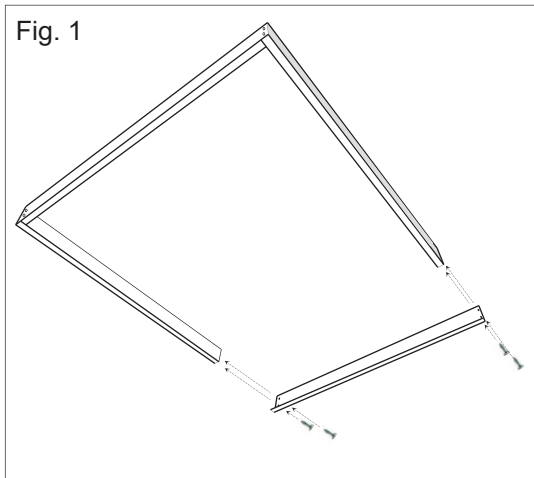
When using electrical equipment, basic safety precautions should always be followed including the following:

- **DISCONNECT AC POWER SUPPLY BEFORE SERVICING.**
- Installation and servicing of this equipment should be performed by qualified service personnel only.
- Ensure that the electrical wiring conforms to the National Electrical Code NEC® and local regulations if applicable.
- Do not mount near gas or electrical heaters.
- Equipment should be mounted in locations and at heights where it will not be readily subjected to tampering by unauthorized personnel.
- The use of accessory equipment not recommended by the manufacturer may cause an unsafe condition.
- Any modification or use of non-original components will void the warranty and product liability.
- Do not use this equipment for other than intended use.

SAVE THESE INSTRUCTIONS!

Technical Support ■ (623) 580-8943 ■ technicalsupport@barronltg.com

1. Locate the area where light panel will be installed Fig. 3.
2. Assemble (4) sides of surface mount kit, insert (8) small screws into corresponding holes and tighten Fig. 1.
3. Check squareness of assembled surface mount kit frame and trial insert light panel from back to check fit. Remove light panel.
4. Position assembled surface mount kit frame on mounting surface and mark locations of frame mounting holes Fig. 2.



5. Attach the assembled surface mount kit frame to the mounting surface with appropriate hardware.
6. Remove one end of mounted surface mount kit frame.
7. Position light panel and make electrical connections per light panel instructions and codes Fig. 3.
8. Insert light panel into frame end and re-assemble frame end and secure with screws Fig. 4.
9. Check function and security of installation.
10. Surface mounting kit installation complete.

