

The LOBO Series combines a low-profile, wall mount, thermoplastic exit sign with an integral LED emergency unit designed for low-level applications from 2' to 6'. The LOBO Series combination exit/emergency unit is designed for fast and easy installation and is available with either a red or green stencil face legend in a white enclosure. The LOBO Series is ideal for offices, classrooms, corridors, lobbies, and other indoor commercial spaces requiring a minimalist aesthetic for emergency lighting combined with a low-profile exit sign.

Model: _____ Date: _____
 Accessories: _____
 Job Name: _____ Type: _____



FEATURES

- Compact, low-profile all-in-one exit sign/emergency unit
- Designed for low-level mounting from 2' to 6'
- Quick wall mount installation to standard junction box
- Easy snap-out, field-selectable chevrons
- California Energy Commission (CEC) T20 Compliant
- 90 Minute emergency run time, 24 hour recharge time
- UL 924 Listed for Damp Locations

SPECIFICATIONS

Illumination: Long-life, high-intensity, green or red LED exit sign with 3.1W (24 LEDs x 0.13W) low glare, emergency light strip

Housing: Injection-molded UL 94 5VA flame-retardant high-impact resistant thermoplastic enclosure

Electrical Input: 120/277VAC Dual primary, 60Hz

Battery: Maintenance-free 3.6V NiCad battery

Operating Temp: 0°C to 50°C (32°F to 122°F)

Run Time: UL Listed 90 Minute emergency run time, 24 hour recharge time

Legend: Fully illuminated 6" characters with 3/4" stroke and field-selectable directional chevrons

Mounting: Surface wall mount with universal knockout pattern and keyhole slots

Finishes: White (standard) or Black (lead times apply)

Certifications: UL 924 Listed for Damp Locations
 Meets NFPA 101 Life Safety Code, NEC, OSHA
 California Energy Commission (CEC) Title 20 Compliant

Warranty: Any component that fails due to a manufacturing defect is guaranteed for five years with a separate five year prorated warranty on the battery. The warranty does not cover physical damage, abuse or instances of uncontrollable natural forces. See the full Exitronix warranty document for detailed information. (Terms and Conditions apply)



ORDERING INFORMATION Example: LOBO-R-WH

Series	Legend Color	Finish	Accessories (Field Installed)
LOBO	G = Green Legend	WH = White	WG-S = Wire Guard (Back Mount)
	R = Red Legend	BL ¹ = Black	XG-6 = Poly Guard (Back Mount)

Notes
¹ Lead times apply, consult factory

CONSTRUCTION

The LOBO Series is a white injection-molded enclosure constructed of UV-stabilized, UL 94 5VA flame-retardant, high-temperature, high-impact thermoplastic. Fixtures resist denting, peeling, scratching and corrosion. The long-lasting, efficient, ultra-bright white LED light strip is enveloped by a high-performance, smooth, chrome plated, metallized reflector with low glare, acrylic UV-stabilized lens.

ILLUMINATION

Fully illuminated 6" letters with 3/4" stroke is achieved with high-output, long-lasting LEDs. An exclusive color-matched diffuser eliminates hot spots and striations, providing optimal light output. Your choice of red or green LEDs provide superior brightness with energy consumption of less than 5W. Path of egress illumination is provided by (24) white LED maintenance-free lamps (0.13W per LED) and is optimally designed for low glare applications.

ELECTRICAL

Input

Dual-voltage input 120 or 277VAC at 60Hz.

Nickel Cadmium Battery - NiCad

Extronix Nickel Cadmium batteries are maintenance free.

Emergency

The LOBO Series exit sign and emergency unit will operate for a minimum of 90 minutes during a loss of power with a 24 hour maximum recharge time for the battery.

Solid-State Transfer

The circuit features solid-state switching for emergency lamps, eliminating concerns of damaged contact or mechanical failures associated with relays. The switching circuit detects a loss of line voltage and automatically switches to emergency mode.

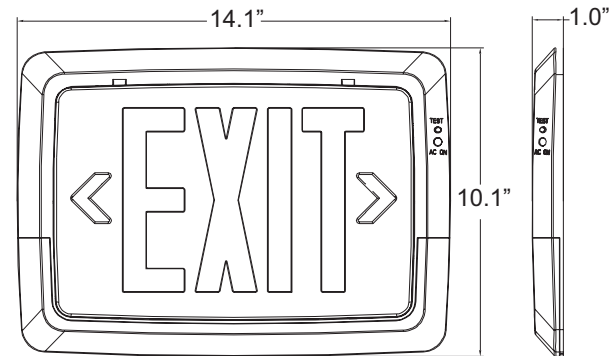
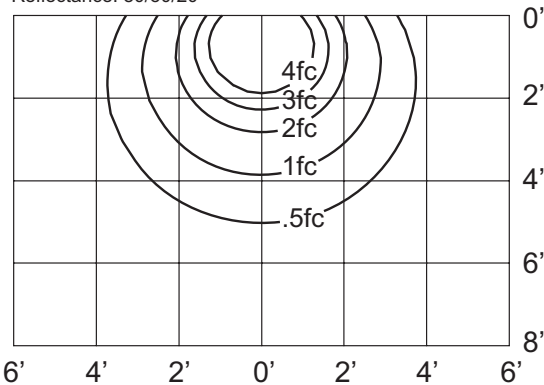
SAMPLE PHOTOMETRICS

LOBO Series

Low Level Exit Combo

Mounting Height: 2'

Reflectance: 80/50/20



Test Button

Test button is easy to locate and allows for manual verification of the transfer circuit and emergency lamps. Unique bi-color LED indicator alerts occupant on battery condition (Green-normal, Red-check battery). Charge rate/power "ON" LED indicator light and push-to-test switch for mandated code compliance testing.

Damp Location Rated

Damp Location Rated fixture that is normally or periodically subject to condensation of moisture in, on, or adjacent to, and includes partially protected locations.

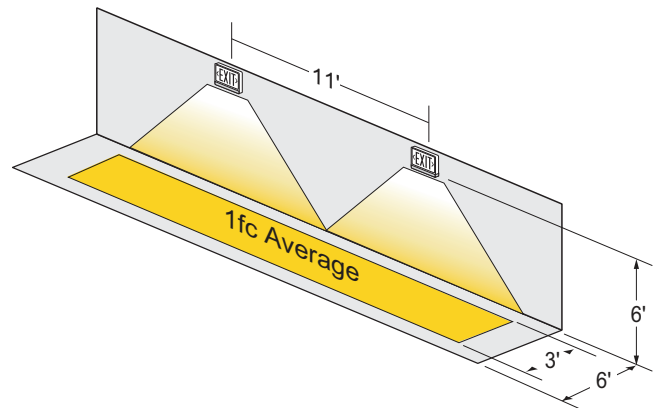
INSTALLATION

The LOBO Series is designed for low-level surface wall mounting to a standard junction box. The backplate incorporates a universal J-box mounting pattern and keyhole slots for simple and quick installation. All hardware is included. Note: UL recommended maximum mounting height to achieve 1fc illumination on the floor is 6'.

CONFORMANCE TO CODES & STANDARDS

The LOBO Series is UL 924 Listed for Damp Locations and meets or exceeds the following: CEC (T20), NEC requirements, and NFPA 101.

Using multiple LOBO units mounted at a typical 6' height delivers 11' on-center spacing with a 3' wide path of egress using 80/50/20 reflectances.



Using multiple LOBO units mounted at a typical 6' height delivers 10' on-center spacing with a 6' wide path of egress using 80/50/20 reflectances.

