



# FPV

## 30W AND 60W FLAT PANEL VEG LED LIGHTS

### FPV14-A

1'X4' 30W FLAT PANEL VEG LED



### FPV24-A

2'X4' 60W FLAT PANEL VEG LED

#### FEATURES

- 30W or 60W Full-spectrum LED options
- Low-profile design ideal for vertical grows
- Full-spectrum white LEDs outperform T5 fluorescents
- UV-stabilized PMMA optical lens efficiently delivers light to the plant canopy
- 1-10V Dimming
- cETL Listed for Damp Locations

#### BIGGER ROOTS



FOLLOW US @

@growlite

/growliteinc/

@growliteog

/company/growlite-inc-

growlite channel

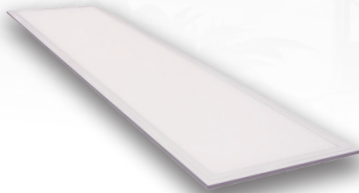
**GROWLITE.COM**

# VERSATILE | ENERGY EFFICIENT | ULTRATHIN

Ultrathin, energy-efficient LED lighting offers incredible performance for clone racks and small veg rooms. Available in two different dimensions, the **FPV's** versatility will outperform more light-intensive fixtures.

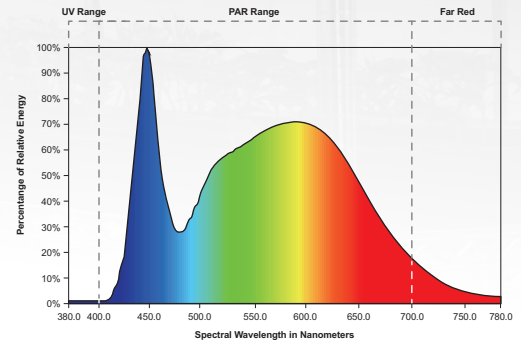
## FPV14-A

SKU FPV14-A



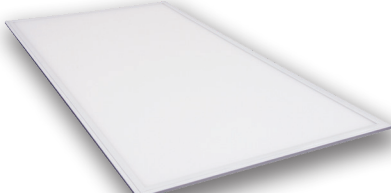
### 1'X4' 30W FLAT PANEL VEG LED

- Low profile, ideal for vertical grows
- Soft and uniform light distribution, 120° beam
- Full-spectrum, white LEDs outperform T5 fluorescents
- UV-stabilized PMMA optical lens efficiently delivers light to the plant canopy
- 1-10V Dimming
- 120VAC Line cord with plug (10' length)
- 120-277VAC Input
- Available cable mounting kit (LPA-CMK) - Consult Factory
- cETL Listed for Damp Locations
- Five Year Warranty (Terms and Conditions Apply)



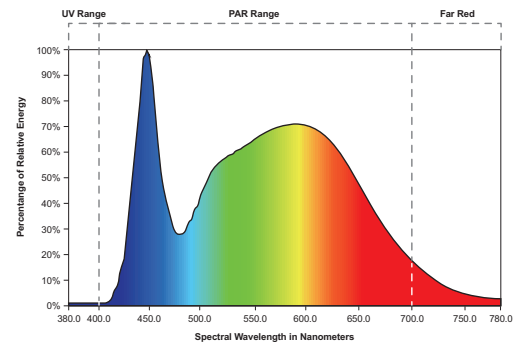
## FPV24-A

SKU FPV24-A



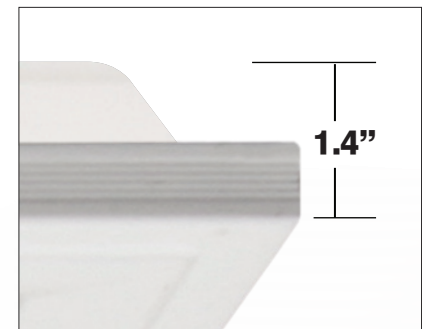
### 2'X4' 60W FLAT PANEL VEG LED

- Low profile, ideal for vertical grows
- Soft and uniform light distribution, 120° beam
- Full-spectrum, white LEDs outperform T5 fluorescents
- UV-stabilized PMMA optical lens efficiently delivers light to the plant canopy
- 1-10V Dimming
- 120VAC Line cord with plug (10' length)
- 120-277VAC Input
- Available cable mounting kit (LPA-CMK) - Consult Factory
- cETL Listed for Damp Locations
- Five Year Warranty (Terms and Conditions Apply)



## ORDERING INFORMATION

System/Configuration	Description
<a href="#">FPV14-A</a>	30W, 1'X4' Flat Panel Veg LED
<a href="#">FPV24-A</a>	60W, 2'X4' Flat Panel Veg LED



Ultra-thin, low-profile

Specifications are subject to change without notice. Installation must be performed in accordance with Barron Lighting Group installation instructions.

10840422 12/20



7885 North Glen Harbor Blvd  
Glendale, Arizona 85307  
800.533.3948  
growlite.com