



TRACE LITE
commercial & industrial lighting

barronltg.com

LED CYLINDER WALLPACK

Internal switch allows up light, down light or up/down light.

30W System provides up to 2509 lumens.

Available in 3000K, 4000K and 5000K CCT.

Energy Star Qualified.

BCY Series

LED CYLINDER WALLPACK

The BCY Series is a 4" diameter cylinder luminaire with a durable aluminum housing and glass lenses. Featuring a sleek design, this luminaire is perfect for indoor and outdoor usage on any residential or commercial building. The BCY Series includes an internal switch that allows the installer to choose up light, down light or up/down light. Available in 3000K, 4000K and 5000K color temperatures, this attractive luminaire can create the perfect ambiance for any architectural building. The BCY Series is Energy Star Qualified and is ideal for indoor/outdoor locations including schools, commercial buildings, medical complexes and residential applications.



FEATURES & BENEFITS

- 4" Diameter cylinder, aluminum housing with bronze power coated finish
- Glass Lenses and aluminum reflector on both ends
- Internal switch allows the installer to choose up light, down light or up/down light
- 30W System provides up to 2509 lumens (complete fixture/all light one side)
- Up/down lighting will provide up to 1200 lumens from each side
- 45° Beam angle up/down
- Available in 3000K, 4000K and 5000K CCT
- Mounts to a standard 3-1/2" or 4" square electrical J-box
- Housing mounts to backplate for ease of installation
- cETLus Listed for Wet Locations
- Operating temperatures: -20°C to 40°C (-40°F to 104°F)
- Energy Star Qualified
- Five year warranty

SPECS AT A GLANCE

Model	BCY-30		
CCT (K)	3000K	4000K	5000K
Lumens (lm)	2446	2467	2509
Wattage (Nominal)	30W (System Total)		
Efficacy (LPW)	82LPW		
CRI	>80		
Input Voltage	120VAC, 50-60Hz		
Operating Temp	-20°C to 40°C (-4°F to 104°F)		
Certifications	cETLus Listed for Wet Locations, Energy Star Qualified		
Warranty	5 Years		
Weight	2.7lbs		

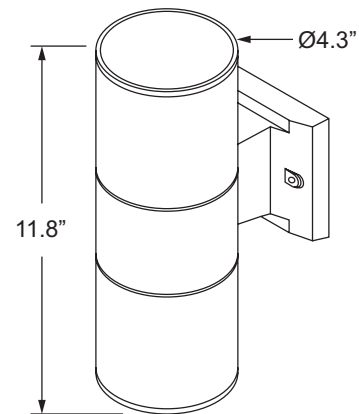
*Nominal wattage. Tested at 4000K CCT. Values at 120/277VAC.

Note: Environment and application will affect performance. Typical values and 25°C used for testing. Specifications subject to change without notice.

ORDERING INFORMATION (Example: BCY-30-4K-V1)

Series ¹	Wattage	CCT	Voltage
BCY	30 = 30W	3K = 3000K 4K = 4000K	V1 = 120VAC
Notes		5K = 5000K	

¹ Consult factory for other finishes



Specifications are subject to change without notice. Installation must be performed in accordance with Barron Lighting Group installation instructions.

10840424 MKT-LIT-BCY 12/20