

IMPORTANT SAFEGUARDS READ AND FOLLOW ALL SAFETY INSTRUCTIONS.

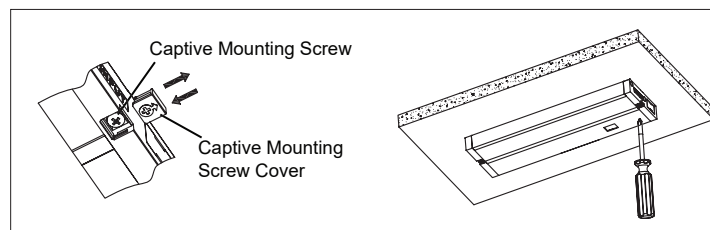
When using electrical equipment, basic safety precautions should always be followed including the following:

- **DISCONNECT AC POWER SUPPLY BEFORE SERVICING.**
- Installation and servicing of this equipment should be performed by qualified service personnel only.
- Ensure that the electrical wiring conforms to the National Electrical Code NEC® and local regulations if applicable.
- Do not mount near gas or electric heaters.
- Equipment should be mounted in locations and at heights where it will not readily be subjected to tampering by unauthorized personnel.
- The use of accessory equipment not recommended by the manufacturer may cause an unsafe condition. Any modification or use of non-original components will void the warranty and product liability.
- Do not use this equipment for other than intended use.

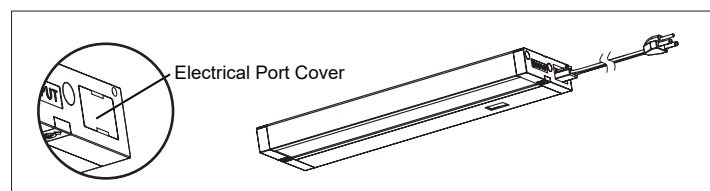
SAVE THESE INSTRUCTIONS!

Mounting Fixture

1. Remove captive mounting screw cover to expose the mounting holes.
2. Place fixture in a desired location and install with mounting screws. In some installations, it may be necessary to drill pilot holes for the screws.
3. Replace the captive mounting screw cover.



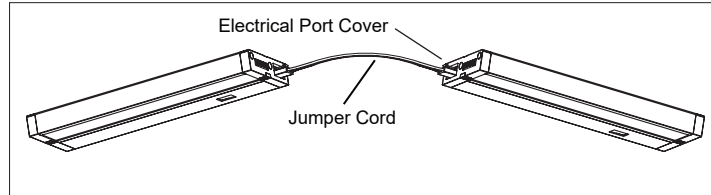
4. Remove the electrical port cover and insert the power cord into the INPUT electrical port.
(Not included, LEDPC - Ordered separately)



Joining Multiple Fixtures

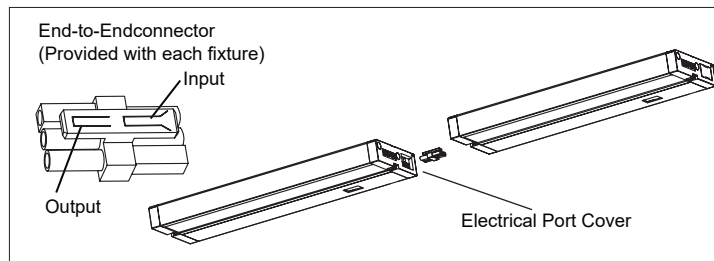
Using Jumper Cord LEDCN1IN (1"), ..2IN (2"), 3IN (3") OR 2FT (2') - Not included, order separately.

1. Remove electrical port covers.
2. Connect the INPUT of jumper cord to the INPUT of electrical port.
3. Connect the OUTPUT of jumper cord to the OUTPUT of electrical port.



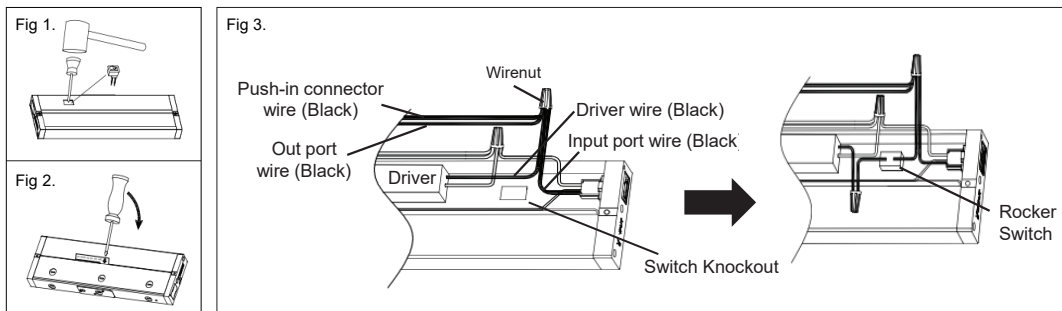
END-TO-END Connector (Included)

1. Remove the electrical port covers.
2. Connect the INPUT of End-to-End connector into the INPUT of electrical port.
3. Connect the OUTPUT of End-to-End connector to the OUTPUT of electrical port.



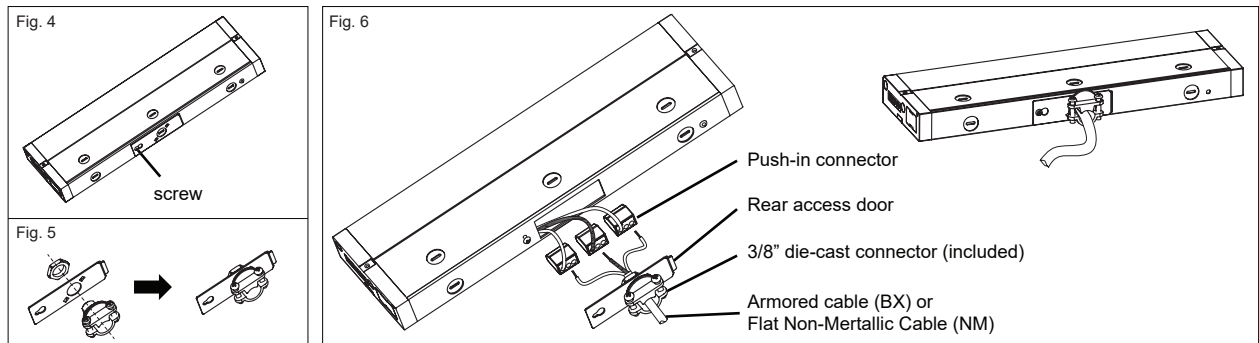
Switch Connection

1. Remove the knockout from the front of the fixture, then push rocker switch into the square opening (provided). (Fig. 1)
2. Open the back cover of the unit using a flat, sharp tool. (Fig. 2)
3. Remove the wire nut where the (4) black wires are connected. (Fig. 3)
4. Connect the black wire from the driver with the wire from the rocker switch using a wire nut. (Fig. 3)
5. Connect the wire from the rocker switch, input port wire and wires from the connectors together using a wire nut. (Fig. 3)
6. Replace the cover.



Wiring Through Rear Access Door

1. Loosen screw that secures the rear access door and slide to remove it. (Fig. 4)
2. Assemble 3/8" die-cast connector (included) into the rear access door and push the supply cable through the die-cast connector. (Figs. 5 and 6)
3. Inside the fixture are three wires with push-in connectors to be used for the supply cable. Carefully pull these out of the fixture. Do not pull with excessive force.
4. Insert each of the three wires from the supply cable into each of the three push-in connectors with their respective color wires: Black to Black, White to White and Green (ground wire) to Green.
5. Neatly push the wires and push-in connectors back into the opening located in the back of the fixture.
6. Close the rear access door and tighten screw.



Wiring Through Knockouts

1. Open the cover in the back of the unit using a flat, sharp tool.
2. Remove desired knockout and assemble the 3/8" die-cast connector. (Included)
3. Push supply cable through the die-cast connector and connect wires using the push-in connectors.
4. Replace the cover and close up.

List of Compatible Dimmers

Mfgr	Model #	Dimming Rate
EATON	DLC03P	10 - 100%
Leviton	1A1505 / 1C1605	10 - 100%
Leviton	6631 / 6633	10 - 100%
Lutron	CT-603PG / CT-600PR-LA	10 - 100%
Lutron	CT-600PR-IV / CT-600PR-WH	10 - 100%
Lutron	DV-600PR / DV603PG	10 - 100%
Lutron	DVW-603PGH-WH / DVCL-153P	10 - 100%
Lutron	MACL-153M / TGCL-153P	10 - 100%
Lutron	S-600PR-WH / S-2-LH	10 - 100%