



IMPORTANT SAFEGUARDS READ AND FOLLOW ALL SAFETY INSTRUCTIONS.

When using electrical equipment, basic safety precautions should always be followed including the following:

- **DISCONNECT AC POWER SUPPLY BEFORE SERVICING.**
- Installation and servicing of this equipment should be performed by qualified service personnel only.
- Ensure that the electrical wiring conforms to the National Electrical Code NEC® and local regulations if applicable.
- Do not mount near gas or electrical heaters.
- Equipment should be mounted in locations and at heights where it will not be readily subjected to tampering by unauthorized personnel.
- The use of accessory equipment not recommended by the manufacturer may cause an unsafe condition.
- Any modification or use of non-original components will void the warranty and product liability.
- Do not use this equipment for other than intended use.

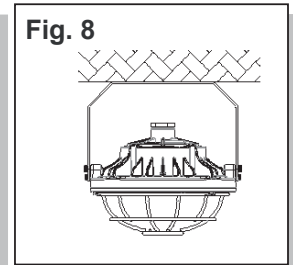
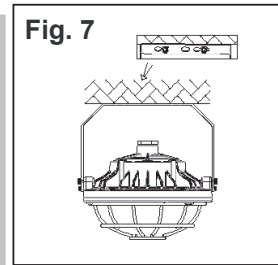
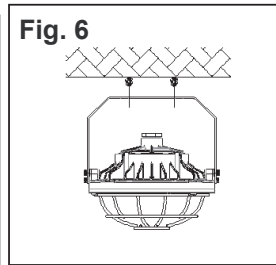
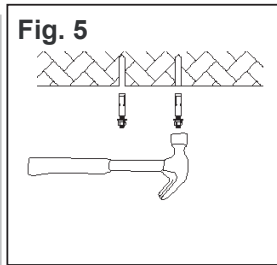
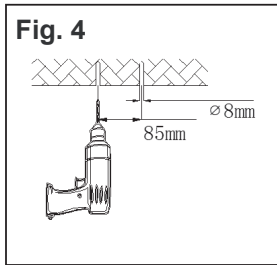
SAVE THESE INSTRUCTIONS!

Technical Support ■ (623) 580-8943 ■ technicalsupport@barronltg.com

Installation

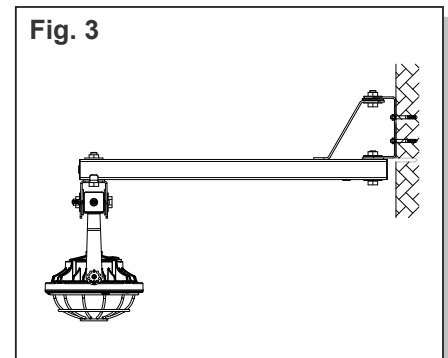
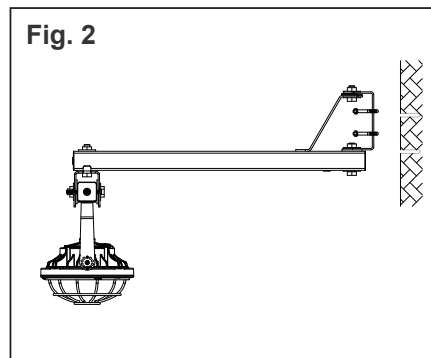
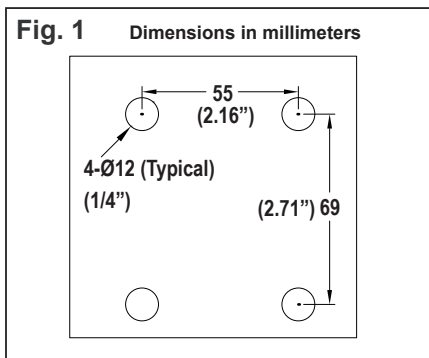
U-Shaped Brackets

1. Use a chalk or sharp tool to mark hole locations on the ceiling, then drill holes. (Fig. 4).
2. Use a hammer to insert the expansion screws into the holes (Fig. 5).
3. The holes on the bracket should be aligned with the expansion screws, then push the fixture to one side (Fig. 6).
4. Tighten the nut of the screws (Fig. 7).
5. Make electrical connections; see **Electrical Connections** sections.
6. Users can adjust the degree left or right from the vertical downward direction by adjusting the screw on the bracket (Fig. 8).
7. **IMPORTANT:** Weatherproof your outdoor installation. Be sure to seal all holes in the enclosure, such as the mounting, conduit, plugs, sensors, and photo-controls with silicone sealant.



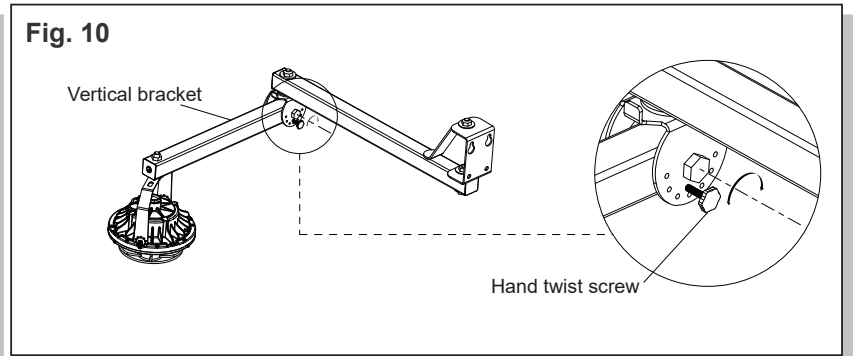
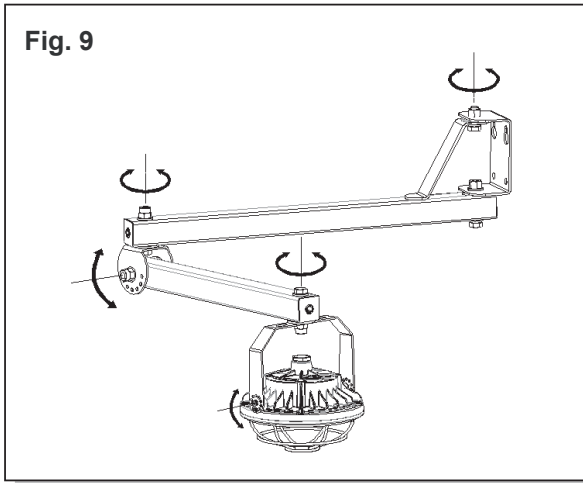
Rotatable Brackets

1. Use a chalk or sharp tool to mark hole locations on the wall, then drill holes (Fig. 1).
2. Use a hammer to insert the expansion screws into the holes (Fig. 2).
3. The holes on the bracket should be aligned with the expansion screws, then push the fixture to one side (Fig. 2).
4. Tighten the nut of the screws (Fig. 3).
5. Make electrical connections; see **Electrical Connections** sections.
6. **IMPORTANT:** Weatherproof your outdoor installation. Be sure to seal all holes in the enclosure, such as the mounting, conduit, plugs, sensors, and photo-controls with silicone sealant.



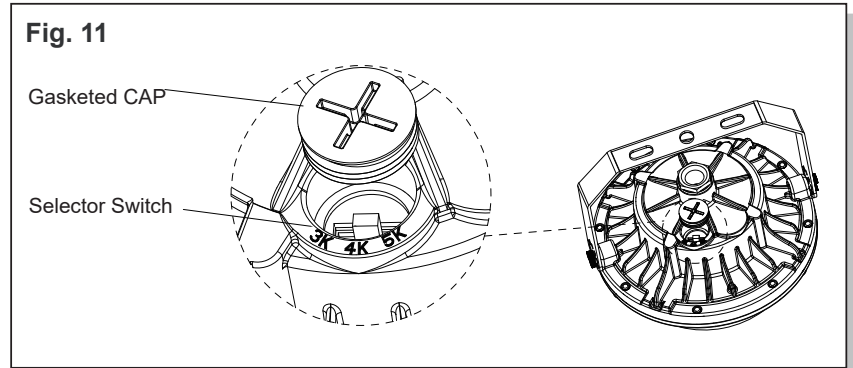
Method for the Rotating Bracket

1. When the working lamp is used together with the rotating bracket, the irradiation angle can be adjusted in multiple directions and angles to meet the irradiation requirements of the site (Fig. 9).
2. Adjustment of the vertical square of the rotating bracket: (Fig. 10)
 - Step 1: Unscrew the hand twist screw from the fixture.
 - Step 2: Adjust the vertical bracket to the desired angle.
 - Step 3: Install the hand twist screw.



CCT Selection

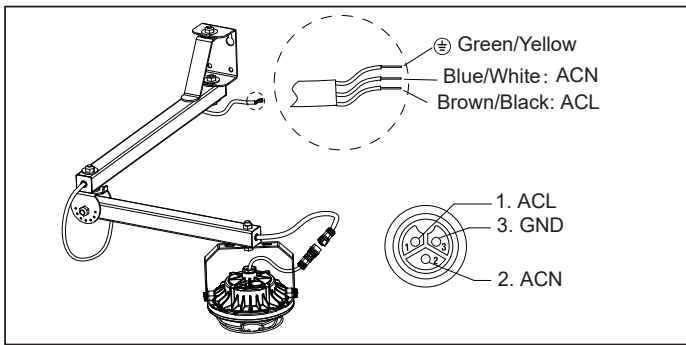
1. CCT function is optional for the lighting fixture.
2. Selecting the CCT: (Fig. 11)
 - Step 1: Unscrew the gasketed cap from the fixture
 - Step 2: Adjust the CCT to the desired setting
 - Step 3: Screw on gasketed cap



Electrical Connections: All electrical connections should be made inside the junction box. Wire in accordance with local wiring standards. Make electrical connection as follows:

With Rotating Bracket

1. Connect the waterproof connector, then connect Line, Neutral and Ground.



Without Rotating Bracket

