

IMPORTANT SAFEGUARDS READ AND FOLLOW ALL SAFETY INSTRUCTIONS.

When using electrical equipment, basic safety precautions should always be followed including the following:

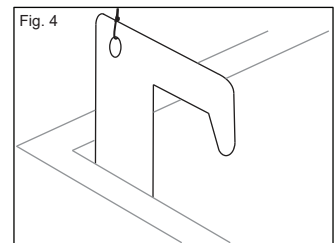
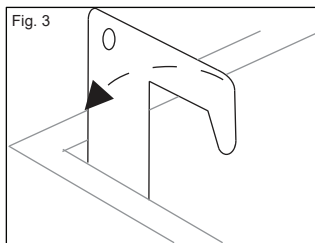
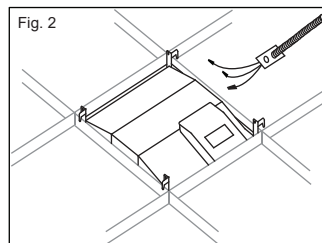
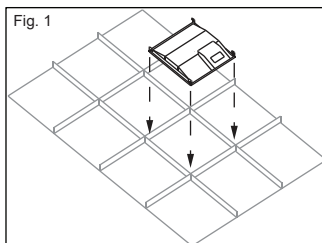
- **DISCONNECT AC POWER SUPPLY BEFORE SERVICING.**
- Installation and servicing of this equipment should be performed by qualified service personnel only.
- Ensure that the electrical wiring conforms to the National Electrical Code NEC® and local regulations if applicable.
- Do not mount near gas or electric heaters.
- Equipment should be mounted in locations and at heights where it will not readily be subjected to tampering by unauthorized personnel.
- The use of accessory equipment not recommended by the manufacturer may cause an unsafe condition. Any modification or use of non-original components will void the warranty and product liability.
- Do not use this equipment for other than intended use.
- Intended for indoor use only.

SAVE THESE INSTRUCTIONS!



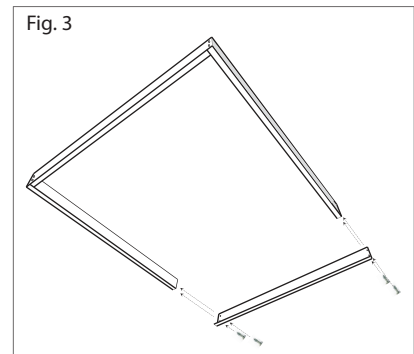
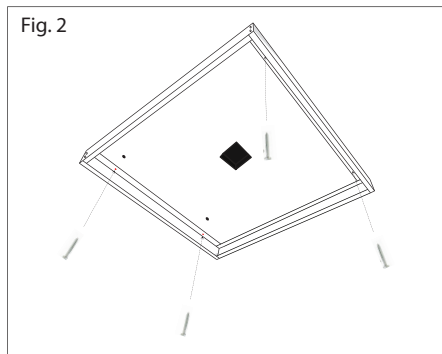
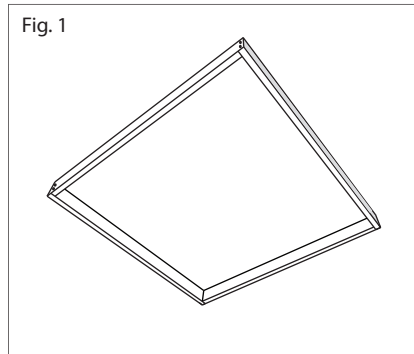
Recessed Grid Ceilings

1. Remove the ceiling tiles from grid before placing LAS/LASP into the grid, lens facing into the room. (Fig. 1)
2. Detach the wireway cover and remove knockout to attach the power supply wires. (Fig. 2)
3. Make your AC connections at this time. See **Electrical Connection** section.
4. Replace the wireway cover.
5. Prepare the earthquake clips by pulling them upright and twisting out. Then position the fixture on the T-bar. (Fig. 3)
6. Secure the fixture to ceiling using steel wires attached through the hole in the earthquake clips, (supplied by others). (Fig. 4)

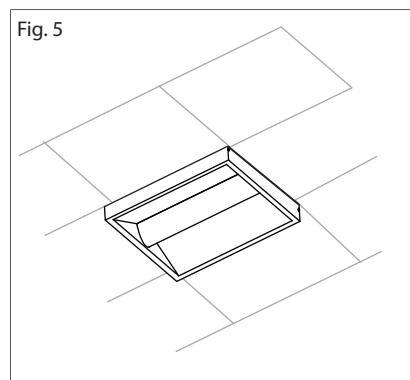
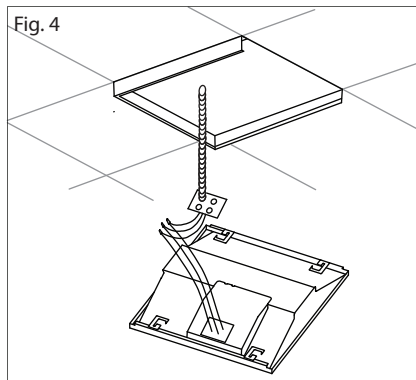


Surface-Mounted Installation (Requires LPXX-SMK - Sold separately)

1. Locate the area where the basket will be installed.
2. Assemble (4) sides of the surface mount basket, inserting all the screws into the predrilled bracket holes and mark where the holes will be drilled on the ceiling. (Fig. 1)
3. Drill (4) small holes in the ceiling and install anchors, then secure the bracket to the ceiling. (Fig. 2)
4. Remove one side of the bracket. (Fig. 3)



5. Connect the basket to the incoming power line, see **Electrical Connection** section. (Fig. 4).
6. Lift, then slide the basket face down, through the opening of the mounting brackets frame.
7. Reinstall the 4th side of the bracket. (Fig. 5)



Electrical Connections

Electrical connections should be made in the wireway.

- a. Connect the line fixture lead to the black supply lead.
 - b. Connect the common fixture lead to the white supply lead.
 - c. Connect the ground lead from the service to the green fixture lead.
- Note:** If dimming wires are not used, cap to prevent shorting.

This fixture auto adjusts for voltages between 120VAC - 277VAC.