

The Champion-Exp edge-lit offers the style of traditional edge-lit exits with added safety in explosion proof hazardous environments. The CP-EXP exit is designed with a factory sealed hazardous rated enclosure to assure the safety in any hazardous atmosphere, with the additional explosion-proof classification the sign will safely operate in locations including petroleum refining facilities, grain elevators, chemical plants, and other areas where protection is needed from dust, gases and fibers.

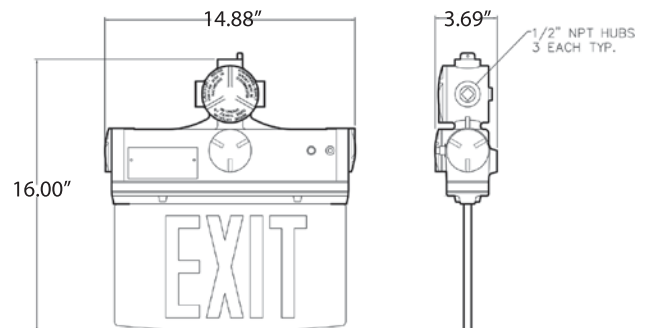
Model: _____ Date: _____
 Accessories: _____
 Job Name: _____ Type: _____

FEATURES AND BENEFITS

- Explosion-proof is rated for:
 Class I Division 1, Groups C & D, Class II Division 1, Groups E, F & G, Class III, Class I Zone 1, Groups IIA and IIB, Zone 2 Groups IIA, IIB + H2 & IIC, Temperature Class - T6, IP65
- Suitable for Wet and Damp Locations
- Suitable for coastal installations for marine outdoor use and tested for salt water and spray resistance
- White panel supplied as a standard on all double-faced signs
- Field-selectable directional chevrons included for all configurations
- Buy American Act (BAA) compliant

SPECIFICATIONS

- Illumination:** High-efficiency red or green LEDs
- Housing:** Copper-free cast aluminum alloy housings with 1/2" NPT conduit hubs, high-clarity acrylic panels
- Input:** 120/277VAC Dual primary, 60Hz (standard)
 Optional 220 thru 240VAC 50/60Hz (Option: 240T)
- Battery:** Maintenance-free NiCad battery
- Run Time:** 180 Minute emergency operation standard, 24 hour recharge time
- Electrical:** Brownout protection, low voltage disconnect prevents deep discharge
- Mounting:** Standard 1/2" NPT conduit hubs provided for alternate mounting options
- Finishes:** Gray
- Temperature:** T6 temperature class rating which rates the fixture up to 85°C (185°F)
- Options:** 240T = 220-240VAC, 50/60Hz
 EU = Green Running man legend
 G1 = Self-diagnostics
- Certifications:** Class I Division 1, Groups C & D, Class II Division 1, Groups E, F & G, Class III, Class I Zone 1, Groups IIA and IIB, Zone 2 Groups IIA, IIB + H2 & IIC, Temperature Class - T6, IP65 Rated
- Warranty:** Any component that fails due to a manufacturing defect is guaranteed for five years with a separate five year prorated warranty on the battery. The warranty does not cover physical damage, abuse or instances of uncontrollable natural forces. See the full Exitronix warranty document for detailed information. (Terms and Conditions apply)



ORDERING INFORMATION Example: CP-EXP-1-WB-EB-G1

Series	Number of Faces	Power Source	Mounting	Options (Factory Installed)
CP-EXP = Red EXIT	1 = Single-face	LB = AC Only	WP = Wall/Pendant Mount	240T = 220-240VAC, 50/60Hz
GCP-EXP = Green EXIT	2 = Double-face	WB = With Battery	EB = End Mount Bracket	EU = Green Running man legend G1 ¹ = Self-Diagnostics

Notes

¹ Available on with battery (WB) units only

CONSTRUCTION**Housing**

The Champion Edge-lit exit is constructed of copper-free cast aluminum alloy housing with an epoxy powder coat finish. The fixture housing is designed to contain an explosion if the hazardous vapors enter the enclosure and are ignited. The enclosure will cool and vent the product so that the atmosphere is not ignited.

Panel

Constructed of high-quality clear acrylic for maximum light output. Double face panels are supplied with a white insert. Stencil letters are 6" high with 3/4" stroke, with minimum of 100' viewing distance.

Illumination

Illumination is accomplished utilizing high-intensity, long-life LEDs. LEDs provide excellent illumination while maximizing energy efficiency by consuming a maximum of only 3 Watts per fixture. LEDs are a maintenance-free solution, providing up to 100,000 hours of life.

ELECTRICAL**Input**

120 or 277VAC, 60Hz (standard)
220-240VAC, 50/60Hz (Option: 240T)

Nickel Cadmium Battery – NiCad (With Battery Only)

Exitronix nickel cadmium batteries are maintenance-free.

Emergency

The Champion Edge-lit exit will operate for a minimum of 180 minutes during a loss of power with a 24 hour maximum recharge time for the battery.

Brownout Circuit

Brownout circuit monitors the line voltage, as the line voltage sags and can no longer illuminate the exit sign, the emergency circuit will turn on to supply a portion or all the power to illuminate the sign for a minimum of 90mins until the line voltage is restored.

Low Voltage Disconnect

When the battery's terminal voltage falls below predetermined levels, the low voltage circuit disconnects the emergency lighting load. The disconnect remains in effect until normal power is restored, preventing deep battery discharge and improving the life of the battery. The disconnect will also automatically reconnect the load circuit once the battery voltage returns to a normal value after charging.

Test Button

Our easily located test button allows for manual verification of proper operation of the transfer circuit and emergency operation.

INSTALLATION

Internally housed components and battery eliminate the risk of damage during installation. Standard 1/2" NPT conduit hubs provided for alternate mounting options.

OPTIONS**Guardian Self-Diagnostics (Option: G1)**

The Guardian circuit continuously monitors the operating condition of the battery charging circuit and battery supply voltage.

The purpose of this option is to provide visual signaling in response to a fault at the EXIT sign battery and/or battery charger. If a failure is detected, visual status will occur immediately via the CHARGER LED and/or the BATTERY FAULT LED. The LEDs will stay illuminated until the fault is corrected.

CONFORMANCE TO CODES & STANDARDS

The Champion Edge-lit meets or exceeds the following: NEC requirements, NFPA 101, NFPA 70, and OSHA requirements.

A Temperature Class (T-Rating)-T6 is standard.

Class I Division 1

A location (1) in which ignitable concentrations of flammable gases or vapors exist under normal operating conditions; or (2) in which ignitable concentrations of such gases or vapors may exist frequently because of repair or maintenance operations or because of leakage; or (3) in which breakdown or faulty operation of equipment or processes might release ignitable concentrations of flammable gases or vapors and might also cause simultaneous failure or electrical equipment failure.

Class II Division 1 (Standard)

A location where combustible dust is present normally in the air in quantities sufficient to produce explosive or ignitable mixtures. This could be on a continuous, intermittent or periodic basis. Where an ignitable and/or explosive mixture could be produced if a mechanical failure or abnormal machinery operation occurs. Where electrically conductive dusts in hazardous concentrations are present.

Class III

A location where ignitable fibers or flyings (due to their characteristics of the gas, vapor, or dust) are present. Class III is in conjunction with Division 1 and Division 2 specifications.

Class I and Class II Groups

Groups A, B, C & D applications are atmospheres typically containing acetylene, hydrogen, manufactured gas, diethyl ether, ethylene, cyclopropane, gasoline, hexane, butane, naphtha, propane, acetone, toluene, and isoprene.

Groups E, F & G applications are atmospheres typically containing metal dust, carbon black, coal dust, coke dust, flour, starch, grain dust, fibers and flyings (due to the characteristics of the gas, vapor, or dust).

Temperature Class

Temperature classes are used to designate the maximum operating temperatures on the surface of the equipment which should not exceed the ignition temperature of the specific gas or vapor to be encountered. The Champion Edge-lit Series has a T6 temperature class rating which rates the fixture up to 85°C (185°F).

IP65 Rated

IP65 rating ensures that the product can be installed in outdoor applications where significant water or dust may come in contact with the fixture. IP65 rated fixtures are designed to perform in wet location applications where water spray from any direction may be possible

Designed for Marine Use

The CP-EXP is designed for outdoor marine use. Fixture shall not show pitting, cracking or other evidence of corrosion resulting from contact with salt spray or fog from salt water. These fixtures will contain less than 0.4 percent copper. All fixtures are tested to ensure that water or moisture does not enter the compartment that houses wiring, devices or LEDs under any conditions except submersion.

MADE IN THE USA

Made in the U.S.A. and is in full compliance with the Buy American Act (BAA).