

DESCRIPTION

The CDR8 Series 8" architectural downlight features a sleek white baffle trim and an integrated LED light engine in a compact design. Designed to seamlessly fit into most standard 8" recessed housings, this versatile solution is perfect for both retrofit and new construction projects with no extra housing required. Enjoy the added convenience of field-switchable color and power selection, making it an adaptable and efficient lighting choice for any space.

SPECIFICATIONS

Construction:

- Compatible with 8.10" ceiling cut-outs and 8" mounting frames
- Polycarbonate driver housing and aluminum reflector
- Easy installation with spring-action housing clips

Optics/LEDs:

- Field-switchable between 30W, 40W and 50W (3,000lm, 4,000lm, 5,000lm)
- Field-switchable color temperature between 2700K, 3000K, 3500K, 4000K and 5000K CCT
- 50° Beam angle
- CRI > 90
- L70 > 100,000hrs

Electrical:

- 0-10V Dimming
- Saves up to 75% energy compared to incandescent sources
- EN61000-4-5 surge protection (1kV)
- Power factor ≥ 0.90 with input
- 120V-277VAC, 50/60Hz
- Operating temperature: -20°C to 45°C (-4°F to 113°F)

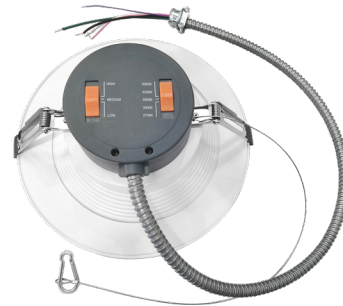
Testing & Compliance:

- cETLus Listed for Wet Locations
- IC Rated, inherently protected, access above ceiling required
- Energy Star certified
- Title 24 JA8 compliant
- Complies with FCC Part 15, class B

Warranty:

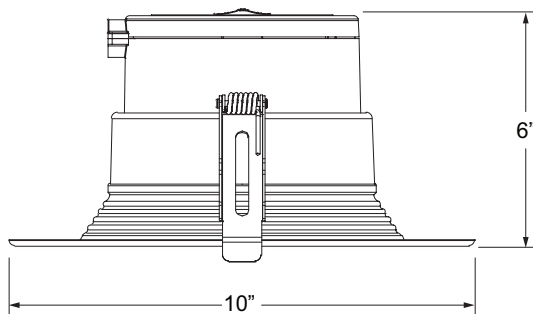
- Five year warranty (terms and conditions apply)

Model: _____ Date: _____
 Accessories: _____
 Job Name: _____ Type: _____



ORDERING INFORMATION Example: CDR8-5L-LKFS-WHT

Model	Power
CDR8-5L-LKFS-WHT	8" Architectural Downlight, Field-Switchable Power, Nominal Lumens 3,000, 4,000, or 5,000, Field-Switchable CCT 2700K, 3000K, 3500K, 4000K, or 5000K, White Baffle



Model	Weight
CDR8-5L-LKFS-WHT	1.4 lbs

Specifications are subject to change without notice. Installation must be performed in accordance with Barron Lighting Group installation instructions.