



## IMPORTANT SAFEGUARDS READ AND FOLLOW ALL SAFETY INSTRUCTIONS.

When using electrical equipment, basic safety precautions should always be followed including the following:

- **DISCONNECT AC POWER SUPPLY BEFORE SERVICING.**
- Installation and servicing of this equipment should be performed by qualified service personnel only.
- Ensure that the electrical wiring conforms to the National Electrical Code NEC® and local regulations if applicable.
- Not suitable for use in wet locations.
- Do not mount near gas or electrical heaters.
- Equipment should be mounted in locations and at heights where it will not be readily subjected to tampering by unauthorized personnel.
- The use of accessory equipment not recommended by the manufacturer may cause an unsafe condition.
- Any modification or use of non-original components will void the warranty and product liability.
- Do not use this equipment for other than intended use.

## SAVE THESE INSTRUCTIONS!

Technical Support ■ (623) 580-8943 ■ [technicalsupport@barronltg.com](mailto:technicalsupport@barronltg.com)

# CBLQ Series

## Installation Instructions

### Installation

1. Bend out the mounting tab 90 degrees on each corner. (Fig. 1)
2. Lay the fixture into the T-grid. (Fig. 2)
3. Use the hanger wire to tie off appropriately in accordance with local building code. (Fig. 3)
4. Install conduit containing the line, neutral, and ground conductors to the knockout of the cover plate. (Fig. 4)
5. Make electrical connections; all electrical connections should be made inside the J-box. Make electrical connections as follows (Fig. 5):

#### 120-277VAC

White - Common  
Black - 120-277VAC  
Green - Ground

**Note:** Cap unused wires to prevent shorting.

6. Attach the wiring access cover plate.

NOTICE: Green ground screw provided in proper location. Do not relocate.

NOTICE: Minimum 90° supply conductors.

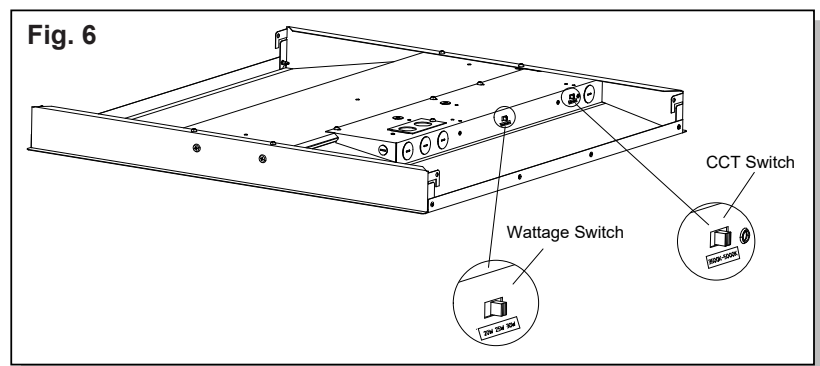
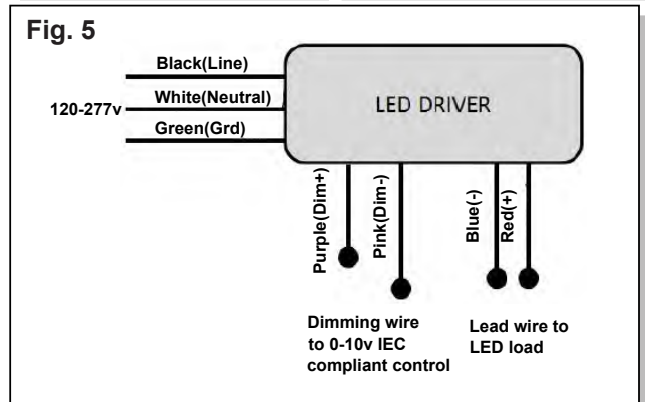
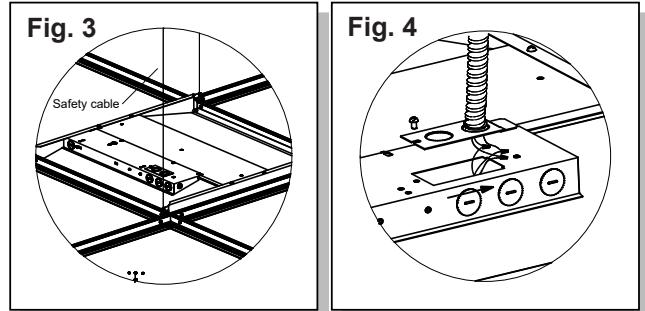
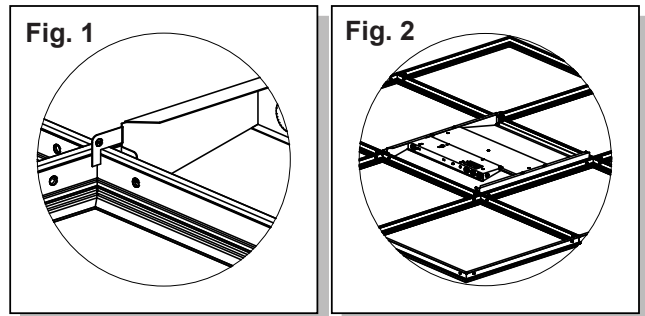
NOTICE: Specification and dimensions subject to change without notice.

NOTICE: Suitable for Dry or Damp location, Type IC.

### Field-Adjustable Wattage & CCT

The end user may adjust the color temperature and lumen output by the two DIP switches. Each DIP switch is accommodated with three options (left, middle, and right), corresponding to three color temperatures and three powers respectively, which can perform the desired color temperature and lumen output combination.

1. DIP switches are located on the side of the fixture. (Fig. 6)
2. Select a wattage and color temperature by sliding the switch left or right to the desired value.



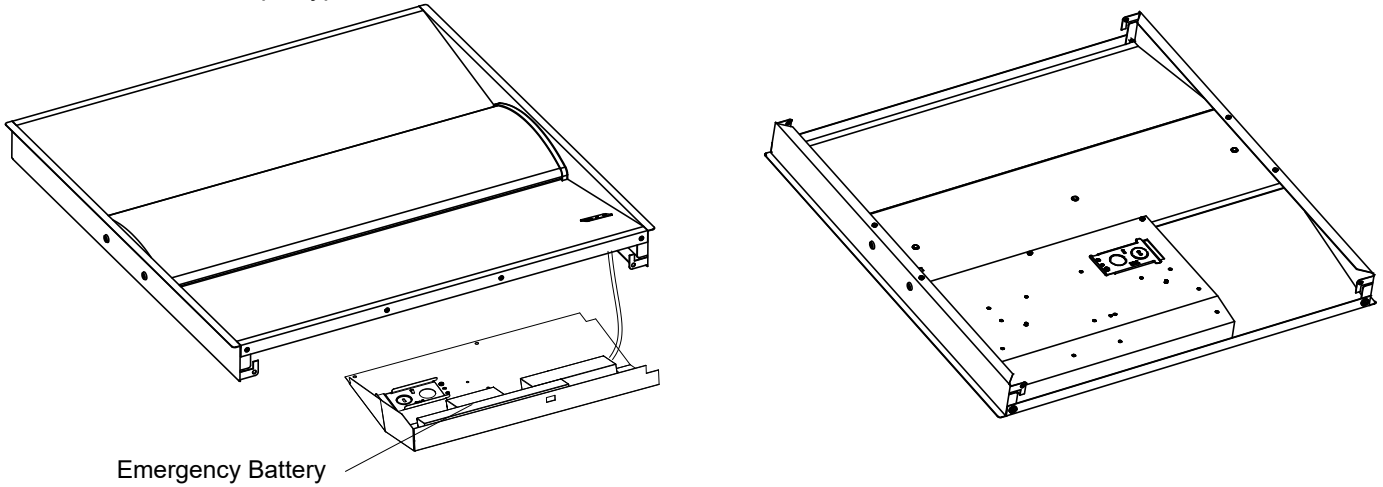
# CBLQ Series

## Installation Instructions

### Additional Accessories

Emergency Battery Backup

EM-0825-010/105P2 Split type-EM



### Battery Backup Wiring Diagram

