



## IMPORTANT SAFEGUARDS READ AND FOLLOW ALL SAFETY INSTRUCTIONS.

When using electrical equipment, basic safety precautions should always be followed including the following:

- **DISCONNECT AC POWER SUPPLY BEFORE SERVICING.**
- Installation and servicing of this equipment should be performed by qualified service personnel only.
- Ensure that the electrical wiring conforms to the National Electrical Code NEC® and local regulations, if applicable.
- Do not mount near gas or electrical heaters.
- Equipment should be mounted in locations and at heights where it will not be readily subjected to tampering by unauthorized personnel.
- The use of accessory equipment not recommended by the manufacturer may cause an unsafe condition.
- Any modification or use of non-original components will void the warranty and product liability.
- Do not use this equipment for other than intended use.

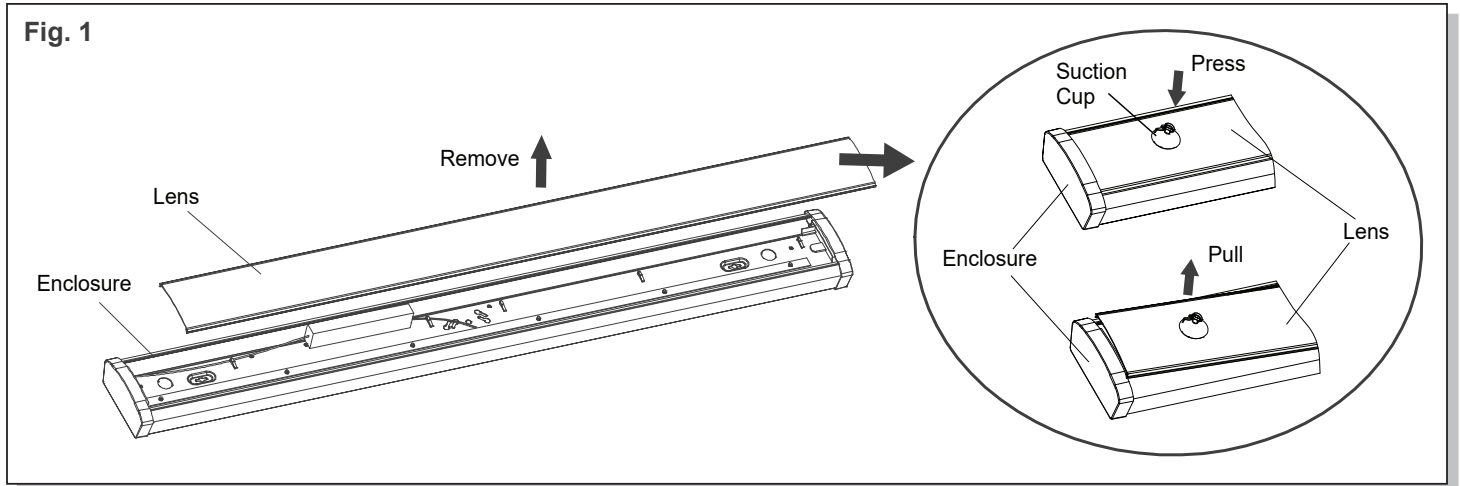
## SAVE THESE INSTRUCTIONS!

Technical Support ■ (623) 580-8943 ■ [technicalsupport@barronltg.com](mailto:technicalsupport@barronltg.com)

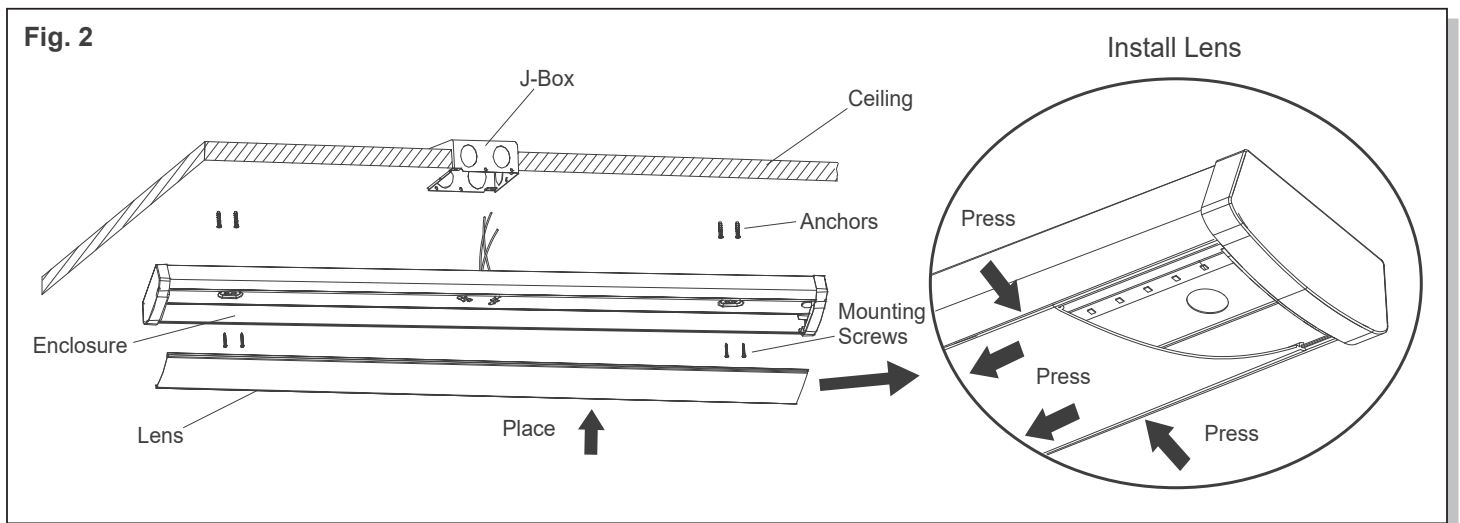
### Installation

#### Surface Mount (Ceiling)

1. Remove the lens from the enclosure. Begin on one end using the provided suction cup by pressing the suction cup down until a good seal is made, then pulling up on the suction cup to detach the lens from the enclosure. (Fig. 1)



2. Using the enclosure as a template, center the fixture enclosure over the J-box and mark the mounting hole locations.
3. Attach the enclosure to the ceiling using appropriate hardware provided by others. (Fig. 2)

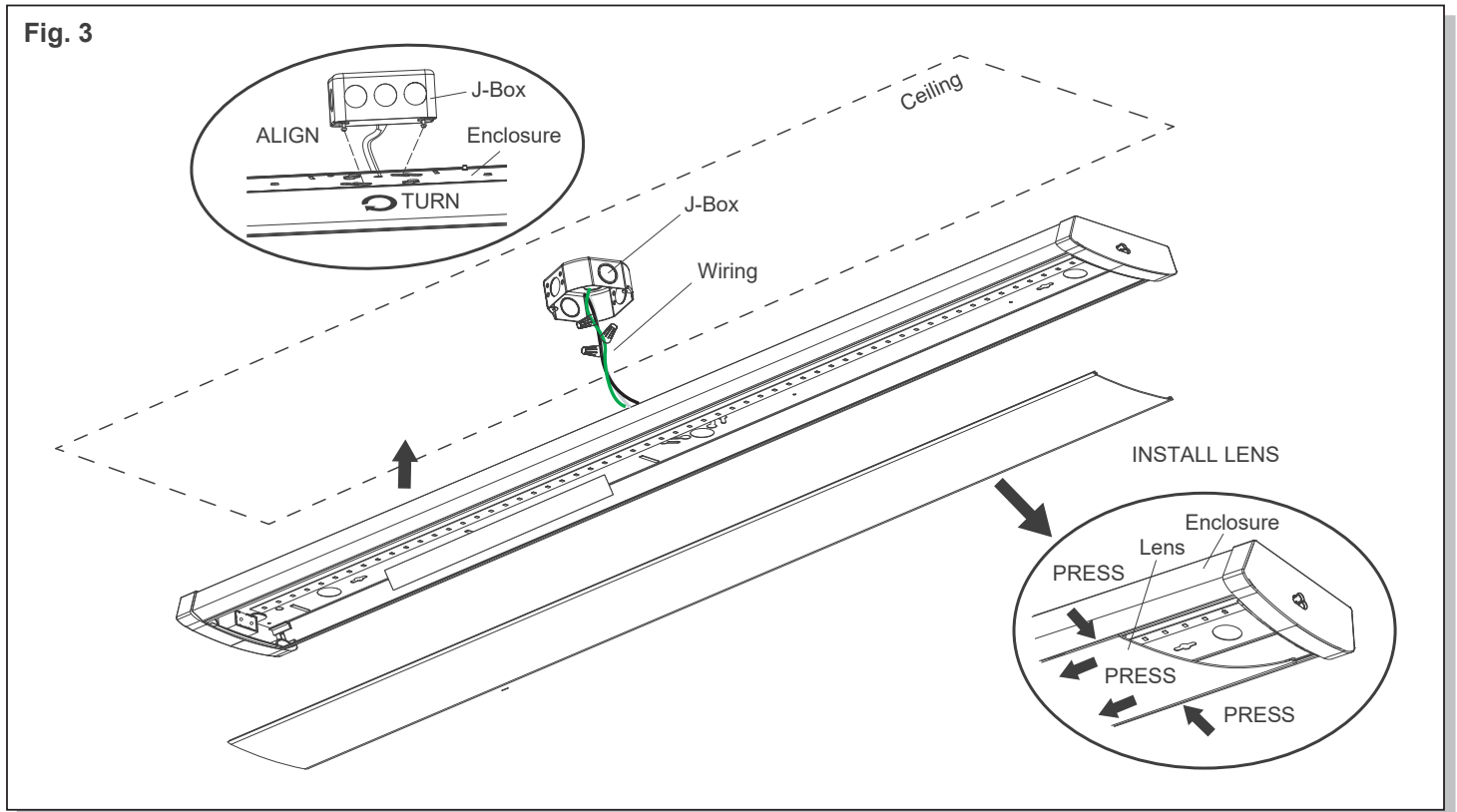


4. Make electrical connections; see **Electrical Connections** section.
5. Reinstall the lens on the enclosure starting at one end. Carefully squeeze the lens to engage the slots in the enclosure. Continue this until the lens is fully installed.

### Installation, Continued

#### Surface Mount (J-Box)

1. Remove the lens from the enclosure. Begin on one end using the provided suction cup by pressing the suction cup down until a good seal is made, then pulling up on the suction cup to detach the lens from the enclosure. (Fig. 1)
2. Secure the enclosure to the J-box. (Fig. 3)



3. Make electrical connections; see **Electrical Connections** section.
4. Reinstall the lens on the enclosure starting at one end. Carefully squeeze the lens to engage the slots in the enclosure. Continue this until the lens is fully installed.

# BWQ Series

## Installation Instructions

### Electrical Connections (Fig. 4)

All electrical connections should be made inside the junction box. Make electrical connection as follows:

#### 120-277VAC

Black - 120-277VAC

White - Common

Green/Yellow Green - Ground

If dimming is used:

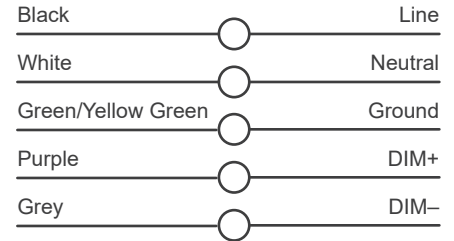
Purple - Positive (+)

Grey - Negative (-)

**Note:** Cap unused leads to prevent shorting.

This fixture auto-adjusts to voltages between 120-277VAC.

**Fig. 4**



### Troubleshooting

If the fixture does not turn ON:

1. Check incoming voltage to the LED driver. The voltage must be a minimum of 120VAC and no greater than 277VAC.
2. Are all LEDs on the light engine OFF? If so, the LED driver may be defective. Using a voltmeter, check to see if voltage is present at the output of the power supply. If low or no voltage is found, replace the power supply.
3. If any individual LEDs are OFF, the LED light engine may be defective. Please have the serial number of the light engine available when you contact technical support.
4. If the unit is equipped with a dimmer, check the dimmer to make sure it is functioning properly.