

IMPORTANT SAFEGUARDS READ AND FOLLOW ALL SAFETY INSTRUCTIONS.

When using electrical equipment, basic safety precautions should always be followed including the following:

- **DISCONNECT AC POWER SUPPLY BEFORE SERVICING.**
- Installation and servicing of this equipment should be performed by qualified service personnel only.
- Ensure the electricity connections conform to the National Electrical Code and local regulations if applicable.
- Do not mount near gas or electrical heaters.
- Equipment should be mounted in locations and at heights where it will not readily be subjected to tampering by unauthorized personnel.
- The use of accessory equipment not recommended by the manufacturer may cause an unsafe condition. Any modification or use of non-original components will void the warranty and product liability.
- Do not use this equipment for other than intended use.

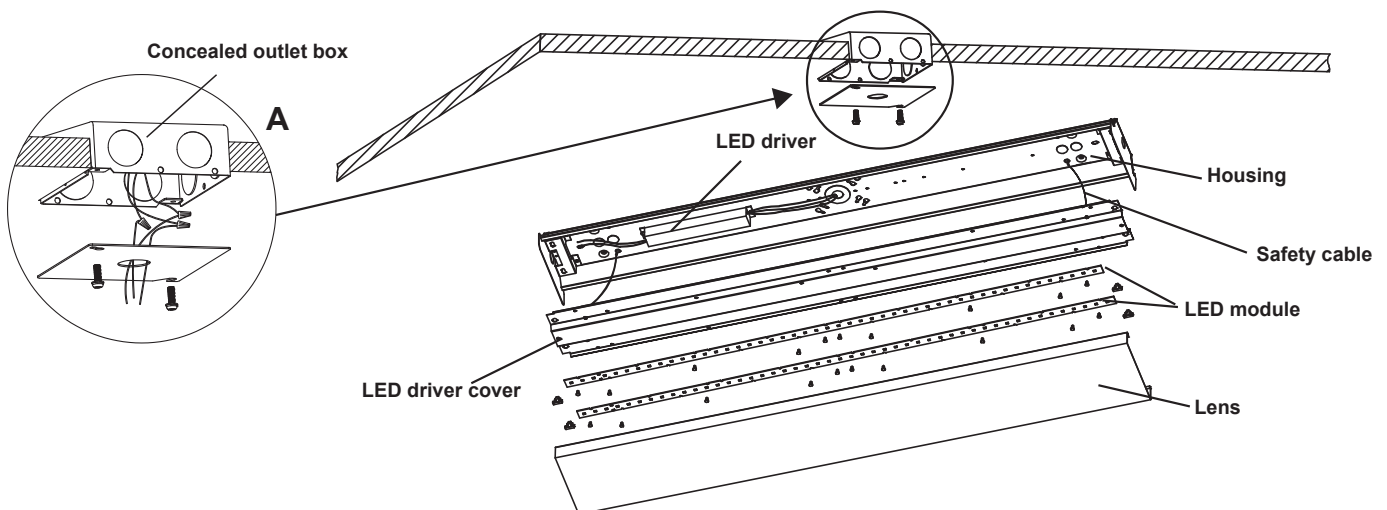
SAVE THESE INSTRUCTIONS!

1. Remove product from packaging.
2. Remove the lens by pulling it from one side of the luminaire and then the other.
3. Remove the driver cover.
4. For surface mounting, use the mounting holes provided on each end of the luminaire housing. Locate and drill holes in the ceiling surface and use appropriate hardware (not supplied), attached the luminaire housing to the ceiling.
5. Connect incoming power to driver. Use the General Wiring Diagram for reference.

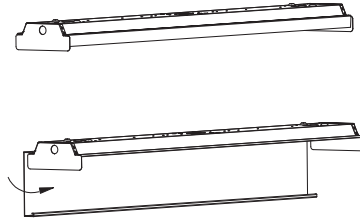
If electrical conduit is used to supply incoming power to luminaire, remove wiring knockouts and use appropriate fittings (not supplied) to attach conduit to the luminaire.

If power is supplied through an outlet box, use an outlet box cover (not supplied) to ensure that outlet box is entirely covered (Fig. A)

6. Reinstall the driver cover.



7. Reinstall the lens on one side of the luminaire and rotate the lens to engage the opposite side.



General Wiring

After installing the luminaire, make wiring connections as shown in the wiring diagram.

- Connect the black luminaire input power wire to the supply line (hot) wire.
- Connect the white luminaire input power wire to the supply neutral wire.
- Connect the green luminaire input power wire to a ground wire or surface.

If a dimming control is used, connect the purple (DIM+) dimming wire to the purple wire from the 0-10v dimming control, and connect the grey (DIM-) dimming wire to the grey wire from the 0-10v dimming control. If a dimming control is not used, cap the driver dimming leads with UL approved wire nuts.

Notes:

- Green ground screw is provided in the proper location. Do not relocate the screw.
- Use minimum 90° C supply conductors
- Specifications and dimension subject to change without notice.
- Suitable for dry or damp locations.

