

DESCRIPTION

8" Downlight with integrated LED light engine designed to fit most standard 8" recessed housings. Also works in new construction applications (no housing required).

SPECIFICATIONS

Construction:

- Die-cast aluminum housing with white baffle trim
- Flexible cable

Optics/ LEDs:

- Long-life LEDs with up to 53,000 hours at 70% lumen maintenance
- Choice of 3500K (±245), 4000K (±275) or 5000K (±283) color temperature with 80 CRI
- Produces up to 2300 lumens
- Uses high-power, high-quality LEDs

Electrical:

- EN61000-4-5 surge protection (line-neutral, 1kV; line-neutral-ground, 2.5kV)
- Type IC, inherently protected. Access above ceiling required
- Saves 75% energy compared to incandescent sources
- Power factor ≥ 0.90 with input
- Built-in LED driver with an input voltage of 120-277VAC, 50/60Hz
- 24 Watt power consumption
- 0-10V Dimming
- Operating temperature: -20°C to 40°C (-4°F to 104°F)

Installation:

- Compatible with most 8" housings and with 8.06" ceiling cut cut-outs and 8" mounting frames
- Flex-cable wires easily into a J-box

Testing & Compliance:

- Tested in accordance with IESNA LM79 & LM80
- UL Listed for Wet Locations
- Passes FCC Class A

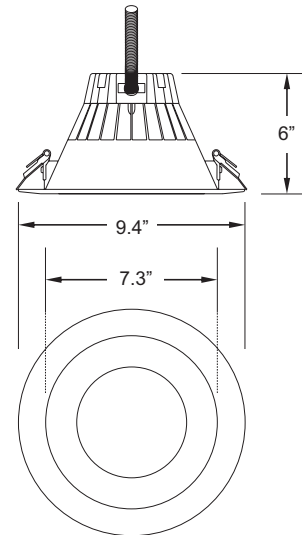
Warranty:

- Five year warranty (terms and conditions apply)

Note: Environment and application will affect actual performance. Typical values and 25°C used for testing. Specifications subject to change without notice.

Model: _____ Date: _____
Accessories: _____
Job Name: _____ Type: _____

AVAILABLE WHILE SUPPLIES LAST



Ordering Information Example: BRK-8A-23L-35K

SKUs	Description	Accessories* (Field Installed)
BRK-8A-23L-35K	8" Architectural Downlight, 3500K	BL8CLED-ND = Mounting frame with j-box
BRK-8A-23L-4K	8" Architectural Downlight, 4000K	
BRK-8A-23L-5K	8" Architectural Downlight, 5000K	

Notes

*Order as a separate line item. Shipped in a separate box for final installation in the field.