

AXL2 (80-280W)

Installation Instructions



IMPORTANT SAFEGUARDS READ AND FOLLOW ALL SAFETY INSTRUCTIONS.

When using electrical equipment, basic safety precautions should always be followed including the following:

- **DISCONNECT AC POWER SUPPLY BEFORE SERVICING.**
- Installation and servicing of this equipment should be performed by qualified service personnel only.
- Ensure that the electrical wiring conforms to the National Electrical Code NEC® and local regulations, if applicable.
- Do not mount near gas or electrical heaters.
- Equipment should be mounted in locations and at heights where it will not be readily subjected to tampering by unauthorized personnel.
- The use of accessory equipment not recommended by the manufacturer may cause an unsafe condition.
- Any modification or use of non-original components will void the warranty and product liability.
- Do not use this equipment for other than intended use.

SAVE THESE INSTRUCTIONS!

Technical Support ■ (623) 580-8943 ■ technicalsupport@barrontlg.com

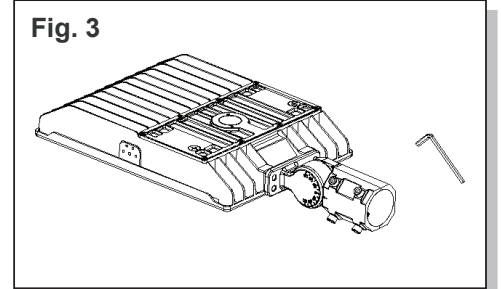
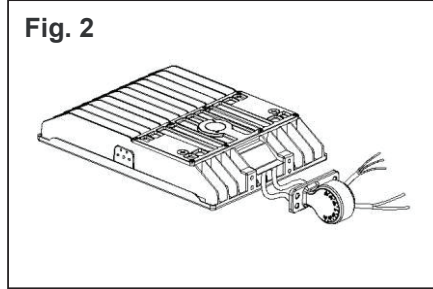
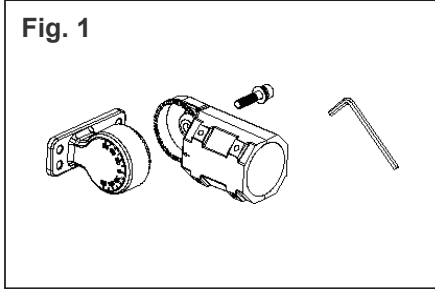
AXL2 (80-280W)

Installation Instructions

Fixture Preparation

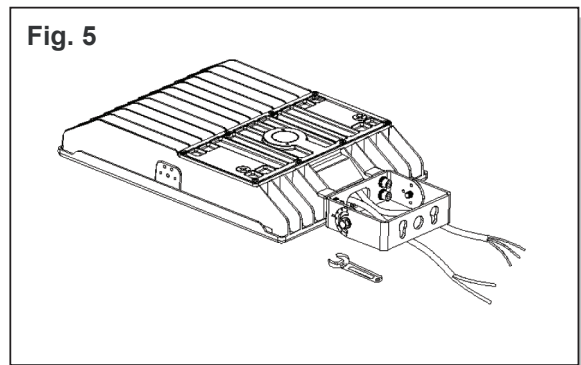
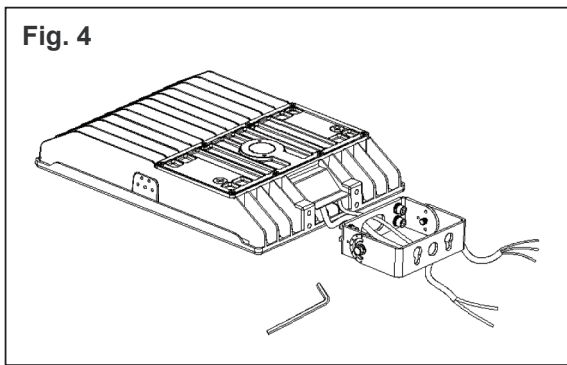
Slip-Fitter (fits up to 2 3/8" OD)

1. Separate the slip-fitter from the knuckle by removing the adjustment bolt using a hex wrench (provided by others). (Fig. 1)
2. Feed wire leads from the fixture through the knuckle and attached the knuckle to the head. (Fig. 2)
3. Feed wire leads through the slip-fitter and then attach the slip-fitter to the knuckle. (Fig. 3)



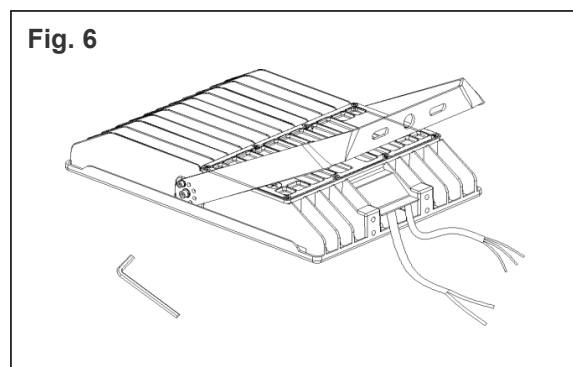
Trunnion

1. Feed wire leads through slot in trunnion. (Fig. 4)
2. Attach trunnion to the head. (Fig. 5)



Yoke

1. Attach yoke to the head using a hex wrench (provided by others). (Fig 6)



AXL2 (80-280W)

Installation Instructions

Surface/Pole Mounting

Slip-Fitter (Fig. 7)

1. Make electrical connections; see **Electrical Connections** section.
2. Secure slip-fitter over pole and tighten.
3. To position the angle of the fixture, loosen the adjustment bolt using a hex wrench (provided by others), position head as desired, then retighten the bolt.

Note: Adjustable angle is 0-90°.

IMPORTANT: Weatherproof your outdoor installation. Be sure to seal all holes in the enclosure, such as the mounting, conduit, plugs, sensors, and photocontrols with silicone sealant.

Trunnion (Fig. 8)

1. Drill hole in mounting surface or rectangular pole.
2. Attach the fixture to mounting surface or rectangular pole.
3. Make electrical connections in waterproof J-box or inside pole; see **Electrical Connections** section.

IMPORTANT: Weatherproof your outdoor installation. Be sure to seal all holes in the enclosure, such as the mounting, conduit, plugs, sensors, and photocontrols with silicone sealant.

Yoke (Fig. 9)

1. Drill hole in mounting surface or rectangular pole.
2. Attach the fixture to mounting surface or rectangular pole.
3. Make electrical connections in waterproof J-box or inside pole; see **Electrical Connections** section.

IMPORTANT: Weatherproof your outdoor installation. Be sure to seal all holes in the enclosure, such as the mounting, conduit, plugs, sensors, and photocontrols with silicone sealant.

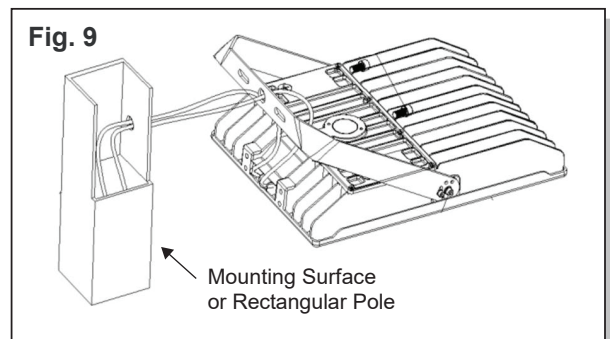
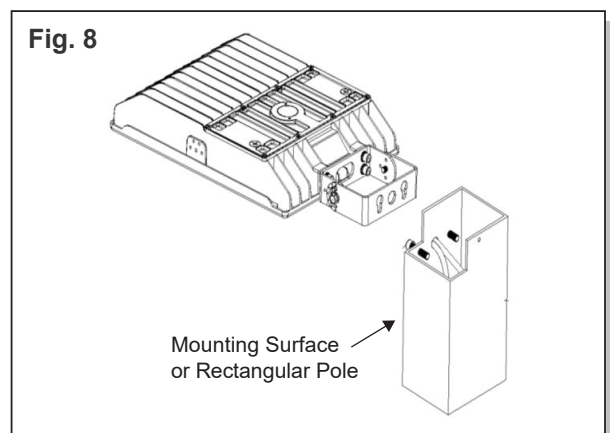
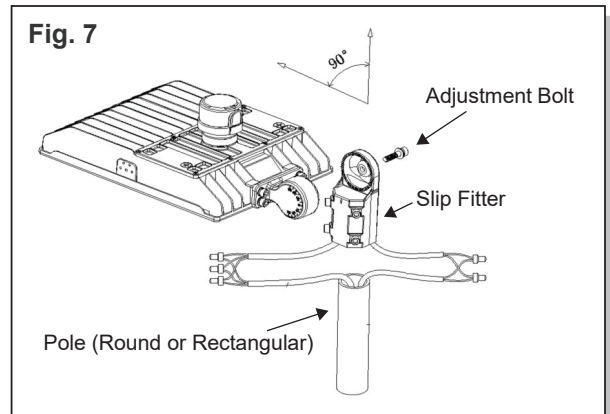
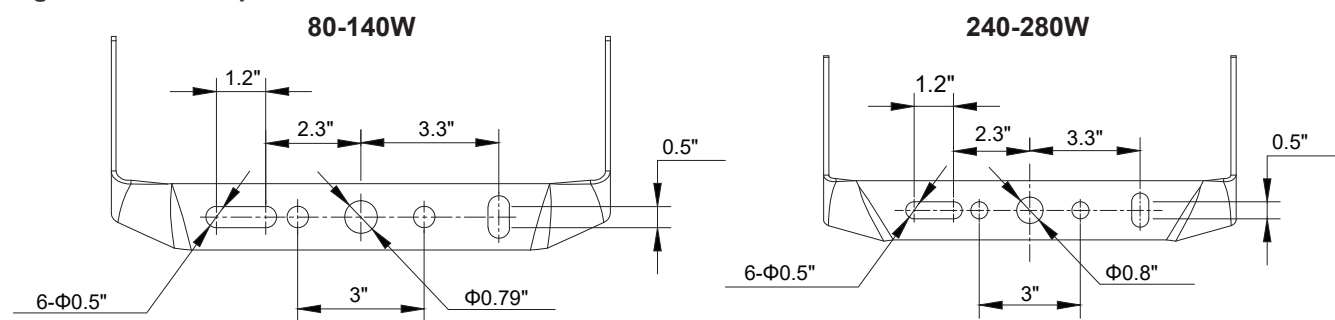


Fig. 10 - Yoke Templates

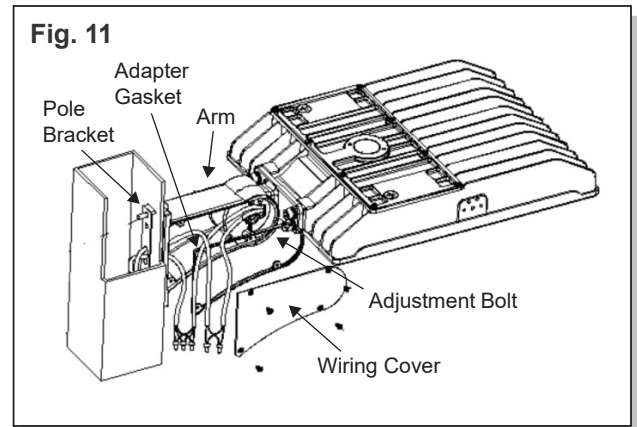


AXL2 (80-280W)

Installation Instructions

Surface/Pole Mounting, Continued Arm (Fig. 11)

1. Disassemble the pole bracket from the arm.
2. If assembling to a round pole, remove and discard the adapter gasket.
3. Using the pole bracket as a guide, drill holes in the pole at desired location.
4. Attach the arm to the pole with the pole bracket inside the pole.
5. Feed wire leads from the fixture through the slot in the arm.
6. Attach the fixture head to the arm using the adjustment bolt.
7. Adjust the head to desired position and tighten the adjustment bolt.
8. Make electrical connections in the arm wiring compartment or inside the pole; see **Electrical Connections** section.
9. Secure the wiring cover to the arm with the gasket in between.



IMPORTANT: Weatherproof your outdoor installation. Be sure to seal all holes in the enclosure, such as the mounting, conduit, plugs, sensors, and photocontrols with silicone sealant.

Electrical Connections (Fig. 12)

All electrical connections should be made inside the junction box. Make electrical connection as follows:

120-277VAC

Black - 120-277VAC

White - Common

Green/Yellow Green - Ground

Note: Cap unused leads to prevent shorting.

Note: This fixture auto-adjusts for voltages from 120-277VAC.

If dimming is used:

Purple - Positive (+)

Grey - Negative (-)

Fig. 12

