

900E Series

Installation Instructions



IMPORTANT SAFEGUARDS READ AND FOLLOW ALL SAFETY INSTRUCTIONS.

When using electrical equipment, basic safety precautions should always be followed including the following:

- **DISCONNECT AC POWER SUPPLY BEFORE SERVICING.**
- Installation and servicing of this equipment should be performed by qualified service personnel only.
- Ensure that the electrical wiring conforms to the National Electrical Code NEC® and local regulations if applicable.
- For use with metal enclosed wiring systems.
- Do not mount near gas or electrical heaters.
- Do not use outdoors.
- Equipment should be mounted in locations and at heights where it will not be readily subjected to tampering by unauthorized personnel.
- The use of accessory equipment not recommended by the manufacturer may cause an unsafe condition.
- Any modification or use of non-original components will void the warranty and product liability.
- Do not use this equipment for other than intended use.

SAVE THESE INSTRUCTIONS!

Technical Support ■ (623) 580-8943 ■ technicalsupport@barrontlg.com

900E Series

Installation Instructions

Surface Ceiling, Surface Wall, or Flag Mount

1. Remove the end cap with the test button (if included) and LED indicator holes by loosening the (2) flat head screws and set aside (Fig. 1).
2. Carefully slide out the homeplate assembly from the inside of the housing and set aside.
3. Prepare the housing:
 - a. For ceiling or wall mounting, punch out the desired knockouts on the top or side of the housing, respectively. Secure the canopy to the desired location on the enclosure using (2) sets of 6-32 screws, washers, and nuts (provided).
 - b. For flag mounting, remove the end cap without holes for the test button (if included) and LED indicator and discard. Align the (4) holes of the canopy with the screw bosses within the housing, such that the canopy is approximately centered on the housing, then fastening using (4) #6 self-tapping round head screws (not provided).

4. Set the DIP switch on the PCB to the desired voltage.

Note: Units equipped with the Self-test/Self-diagnostics or the 2CI option do not require DIP switch adjustment.

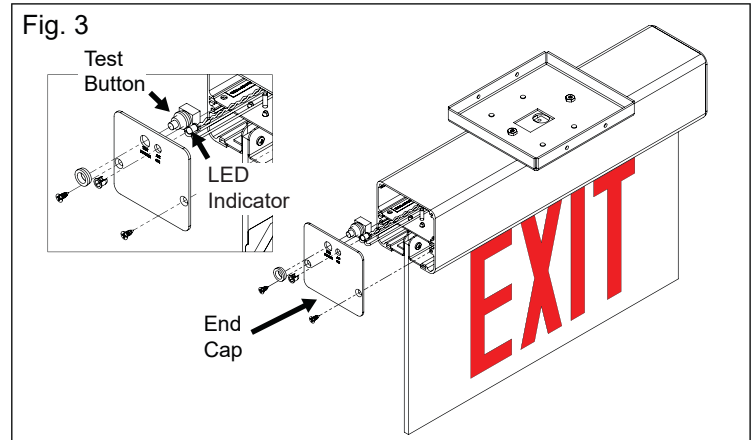
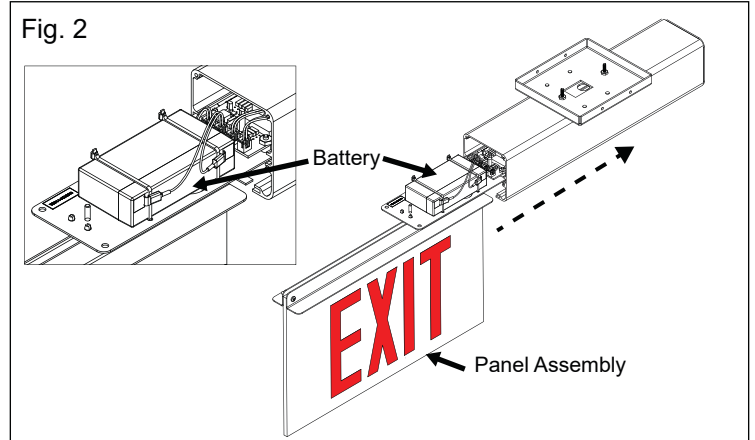
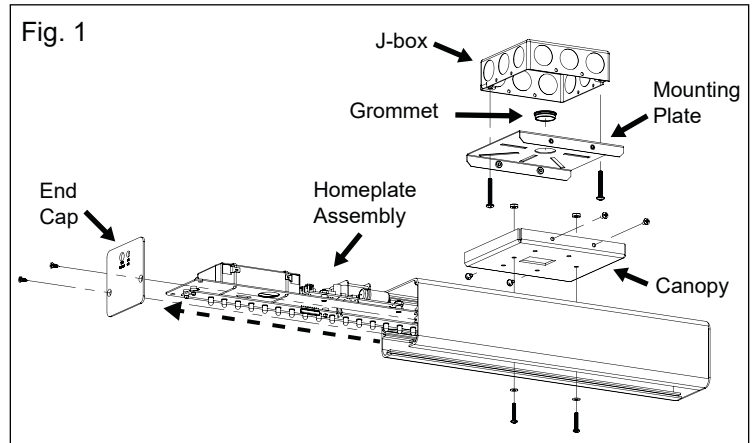
5. Connect the battery to the PCB. Red goes to positive (+) and black goes to negative (-) (Fig. 2).
6. Route the wires out through the canopy.
7. Slide the homeplate back into the housing.
8. Slide the panel assembly into the housing.
9. Install the test button (if included) and LED indicator in the end cap (Fig. 3).
10. Secure the end cap assembly using the (2) flat head screws from before.
11. If not already completed, install a 7/8" grommet into the center hole of the mounting plate.

12. Route the wires out through the center hole of the mounting plate. Ensure that the mounting plate is oriented such that the two flanges will be pointing away from the J-box.

13. Make electrical connections; see **Electrical Connections** section.

14. Secure the mounting plate to the junction box.

15. Secure the canopy to the mounting plate with (4) 6-32 x 1/4" screws (provided).

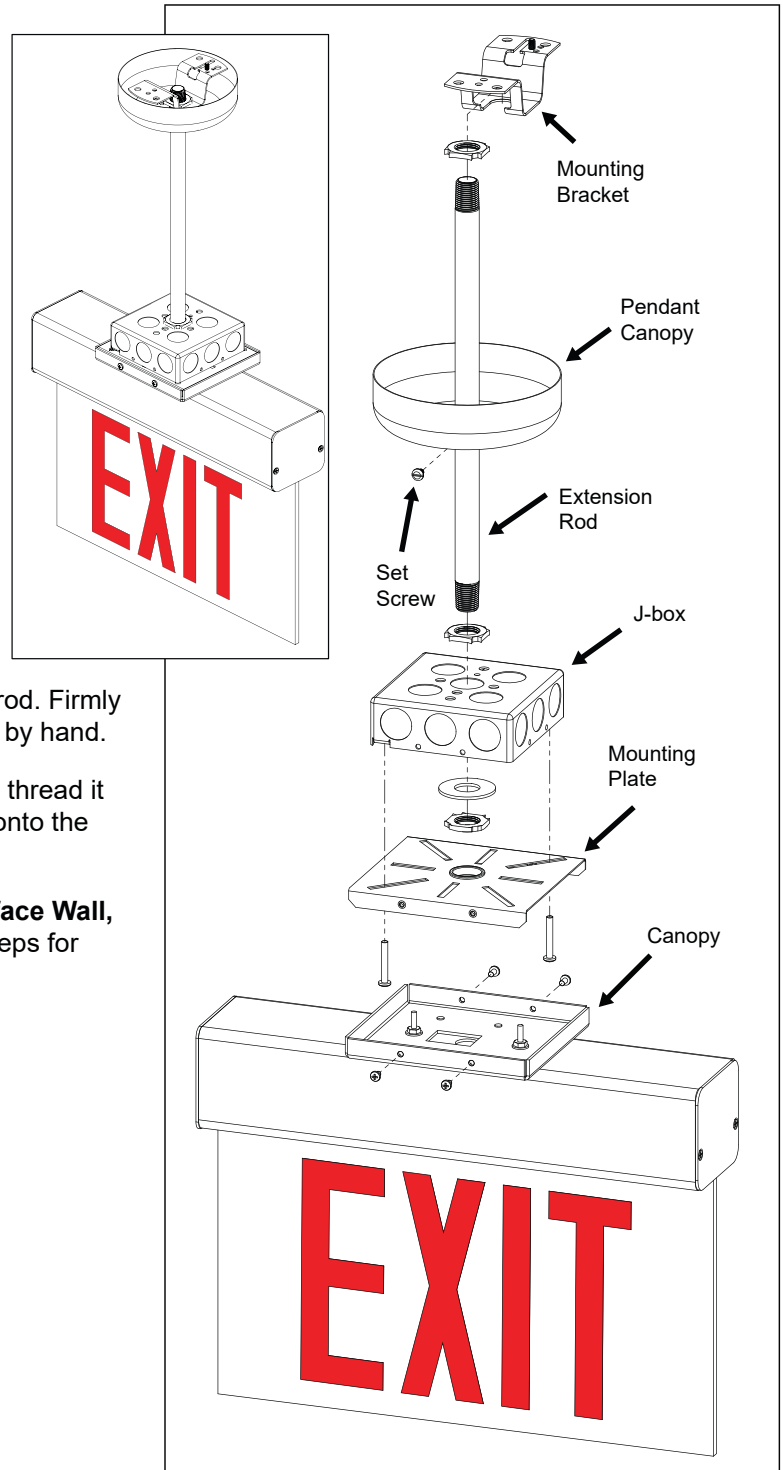


900E Series

Installation Instructions

Pendant Mount

1. Secure the mounting bracket to the mounting surface using appropriate hardware (not provided).
2. Thread a lock nut on one end of the extension rod. Firmly tighten the lock nut and ensure that it does not loosen by hand.
3. Guide the end of the extension rod with the lock nut through the opening in the mounting bracket so that the extension rod is supported by the mounting bracket and hangs freely. Ensure that the lock nut is centered in the mounting bracket and lays flat. **Incorrect placement of the lock nut may result in failure.**
4. Guide the pendant canopy onto the extension rod in the orientation shown. Once in place at the top of the extension rod, tighten the set screw of the pendant canopy to secure.
5. Thread a lock nut on the bottom end of the extension rod. Firmly tighten the lock nut and ensure that it does not loosen by hand.
6. Punch out the center knockout of the junction box and thread it onto the extension rod as shown. Thread the washer onto the extension rod and secure with a lock nut.
7. Follow the steps outlined in the **Surface Ceiling, Surface Wall,** or **Flag Mount** section to finish installation. Use the steps for ceiling mounting.



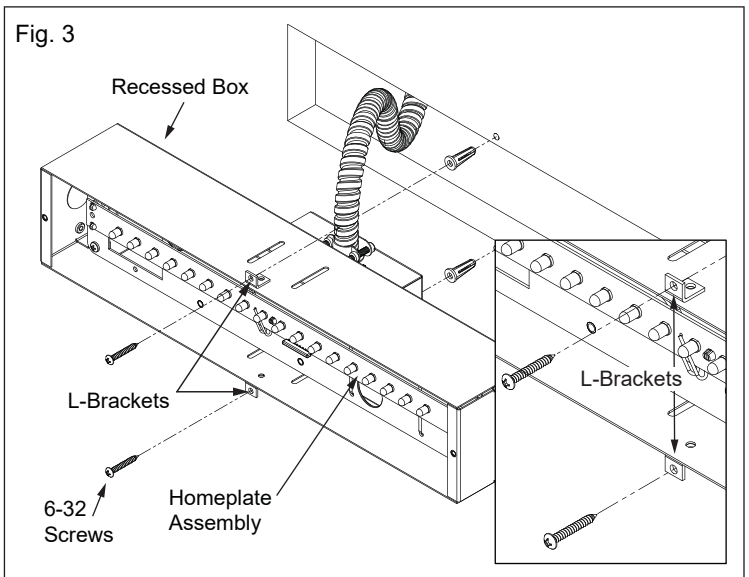
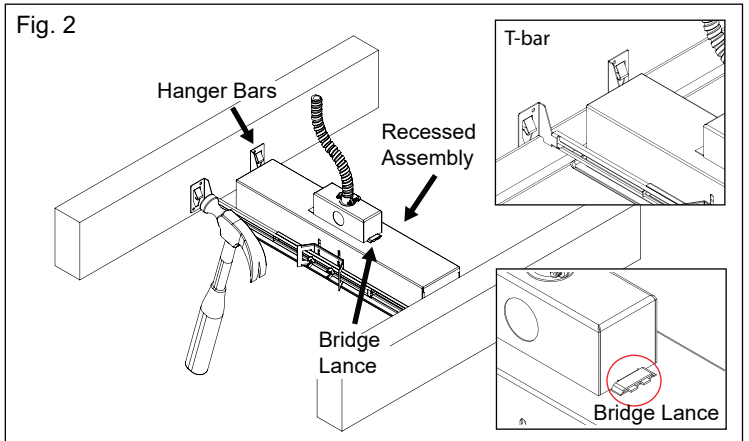
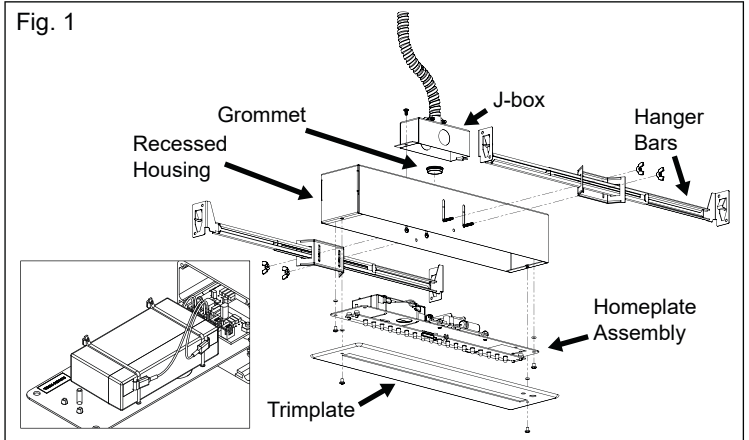
900E Series

Installation Instructions

Recessed Ceiling or Recessed Wall Mount

Note: If the “Rough-in Kit” for the 900E Series has been pre-installed, proceed to step 7 below.

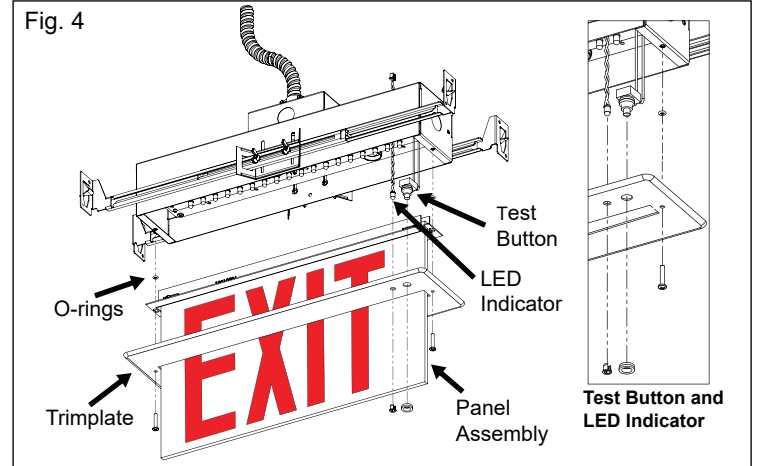
1. Cut a 3" x 15" opening in the ceiling or wall. Ensure that the opening is less than the trimplate dimensions of 3 7/8" x 15 7/8".
 2. Remove the homeplate assembly from the recessed housing by loosening the (2) 6-32 screws and set aside (Fig. 1).
 3. If not already completed, punch out the knockout on top of the recessed housing, then insert the plastic grommet into the hole.
 4. Route the wires through the knockout hole and make electrical connections; see **Electrical Connections** section.
 5. Install the provided J-box on top of the recessed housing by inserting the tab of the J-box into the bridge lance and securing with a 6-32 x 1/4" screw (provided)
 6. Install the recessed assembly:
 - a. If ceiling mounting, attach the hanger bars to the sides of the recessed housing using 6-32 screws and wing nuts (provided), as shown. Position the recessed assembly between joists, making sure the hanger bars are positioned correctly. Use the adjusting slots to guide the hanger bars. The bottom of the recessed housing should be level with the bottom of the joist. Secure by hammering in the nail-in tabs. For T-bar installation, hang the ends of the hanger bars over the vertical part of the T-bar, as shown (Fig. 2).
 - b. If wall mounting, attach L-brackets using 6-32 screws and nuts (not provided) to either side of the recessed housing. Ensure that the L-brackets will not extend beyond the trimplate. Position the recessed assembly inside the wall. Secure the recessed assembly using #6 screws and anchors (not provided) (Fig. 3).
 7. Set the DIP switch on the PCB to the desired voltage.
- Note:** Units equipped with the Self-test/Self-diagnostics or the 2CI option do not require DIP switch adjustment.
8. Connect the battery to the PCB. Red goes to positive (+) and black goes to negative (-).



900E Series

Installation Instructions

- Secure the homeplate assembly within the recessed housing using the (2) 6-32 screws and O-rings from before, along with (2) additional 6-32 screws and O-rings (provided).
- Install the test button (if included) and LED indicator in the trimplate (Fig. 4 & 5).
- Slide the panel assembly through the trimplate.
- Secure the trimplate/panel assembly to recessed housing with (2) 6-32 x 3/4" screws and O-rings (provided).



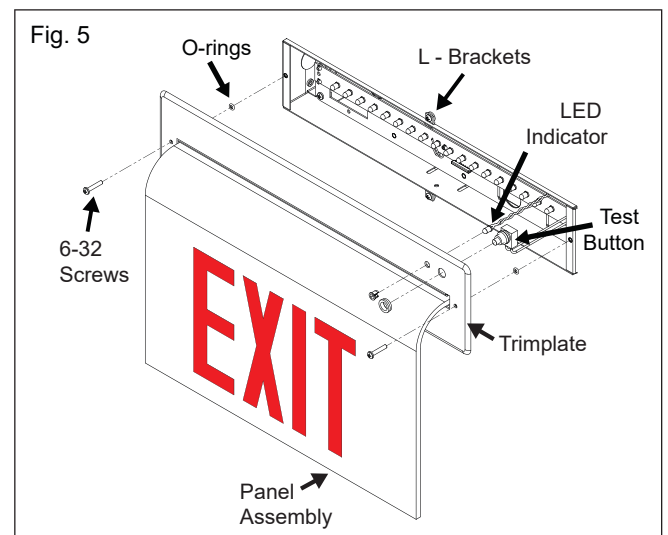
Electrical Connections

All electrical connections should be made inside the junction box.

Make electrical connection as follows:

120VAC	220/230VAC	277VAC
White – Common	White – Common	White – Common
Black – 120VAC	Yellow – 220/230VAC	Orange – 277VAC

Note: Cap unused leads to prevent shorting.



Self-Test/Self-Diagnostics (G2)

Operation

The purpose of this option is to provide Self-testing and Self-diagnostic capabilities to the EXIT sign. At predetermined intervals, the EXIT sign will automatically switch into battery mode. Refer to the **Self-Test Features** section of this page for timing details. The EXIT sign will also perform various Self-diagnostic tests of the unit. Visual signaling will alert maintenance personnel to a fault of the EXIT sign electronics, battery and/or battery charger. The circuitry continuously monitors the operating condition of the EXIT sign and battery charging circuit/battery supply voltage. Refer to the **LED Indicator** section below for fault reporting details.

Self-Test Features

- The EXIT sign will automatically switch to battery mode every 28 days for a period of 5 minutes.
- The EXIT sign will automatically switch to battery mode every 6 months for a period of 90 minutes.

LED Indicator

- The red “UNIT ALERT” LED indicates whenever the Self-diagnostics system has detected a fault condition. Refer to the chart below when the red “UNIT ALERT” LED is blinking:

Number of Blinks	Unit Fault	Corrective Action
1	Battery is Disconnected	Check Battery Connections
2	Battery Failure	Replace Battery
3	Not Applicable	Not Applicable
4	Charge	Check Battery then Consult Factory
5	Transfer (AC to DC)	Check Battery then Consult Factory

- The yellow “STEADY STATE” LED indicates that the charger is turned off.
- The red “CHRG ON” LED indicates that the battery is under full charge.
Note: The “STEADY STATE” and “CHRG ON” LEDs will toggle faster with a discharged battery. A fully charged battery will cause the yellow “STEADY STATE” LED to be illuminated longer than the red “CHRG ON” LED.
- The green “AC ON” LED indicates that normal AC power is being supplied to the EXIT sign.

Test Button Features

MANUAL TEST – Pressing the test button will switch the unit into battery mode for a set amount of time. The desired length of the test is determined by the number of times the test button is pressed.

- Pressing the test button once will switch the unit into battery mode for a period of 2 seconds.
- Pressing the test button twice within 2 seconds will switch the unit into battery mode for a period of 15 minutes.

Pressing the test button once while the unit is MANUAL TEST mode will cancel the manual test and return the unit to normal AC power.

RESET – Pressing the test button 3 times will reset the red “UNIT ALERT” LED. If multiple faults are present, it may be necessary to repeat this procedure for each remaining fault indicated by the “UNIT ALERT” LED.

Use in accordance with local building codes.